

Radial Needle Roller and Cage Assemblies (Needle Cage)



OVERVIEW: Radial needle roller and cage assemblies are a component of needle rollers held in place by a cage. The mating shaft and housing are normally used as inner or outer raceway. The unitized design allows for easy handling and installation. Controlled-contour rollers reduce end stresses and permit operation under moderate misalignment. A variety of cage designs, styles and materials as well as multiple roller paths segmented constructions, meet broad application requirements.

APPLICATIONS: Automotive and truck transmissions, agricultural and construction equipment, two cycle engines, pumps, compressors and connection rod.

TYPE:

Inch: WJ, WJC

Metric: K, KZK, KBK, K..TN

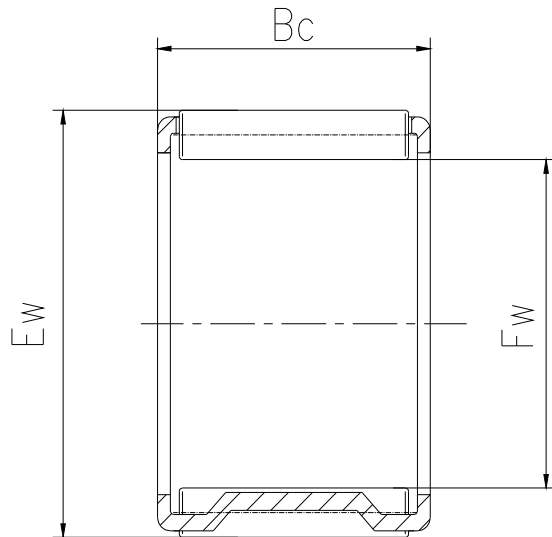
DESCRIPTION:

WJ	Inch Size Needle Roller and Cage Assembly with Larger Needle Roller, Steel Cage
WJC	Inch Size Needle Roller and Cage Assembly with Smaller Needle Roller, Steel Cage
K..TN	Needle Roller and Cage Assembly with Plastic Cage
K	Metric Size Needle Roller and Cage Assembly, Machined Cage
KZK	Metric Size Needle Roller and Cage Assembly for Crank Pin, Machined Cage
KBK	Metric Size Needle Roller and Cage Assembly for Piston Pin, Machined Cage

TOLERANCE:

Width	Max.	Min.
	mm	
All	-0.2	-0.55

Radial Needle Roller and Cage Assemblies (Needle Cage)



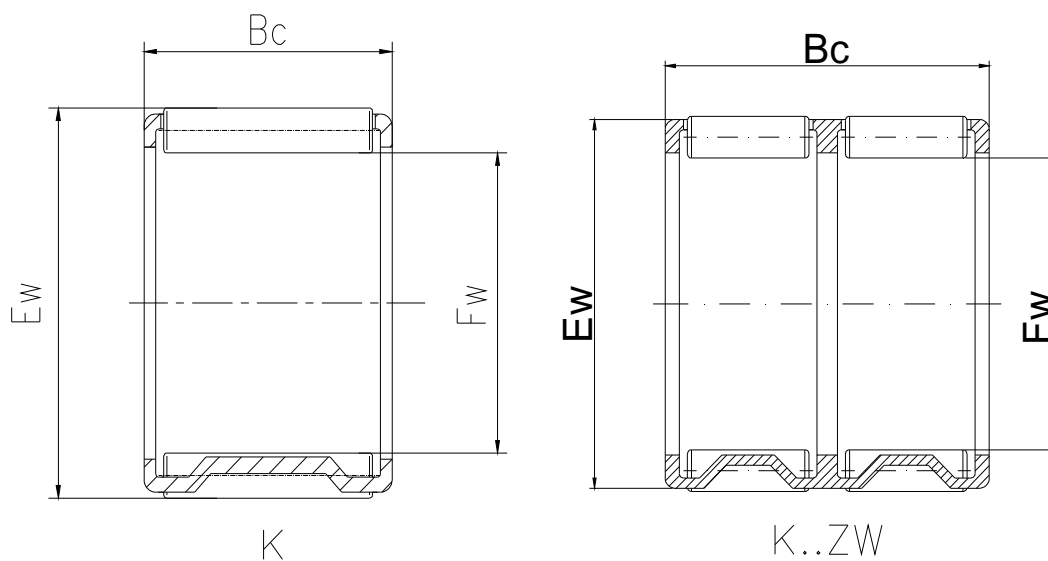
WJ, WJC

Part Number	Dimension(mm)			Load Rating(N)		Limiting Speed(RPM)	Weight g
	Fw	Ew	Bc	Dynamic	Static		
WJC060806	9.525	12.7	9.53	3870	4000	37000	3
WJC081008	12.7	15.875	12.7	6230	8010	35000	5
WJC091108	14.288	17.463	12.7	6810	9250	34000	6
WJC101208	15.875	19.05	12.7	7030	9960	27000	6
WJ101410	15.875	22.225	15.88	15600	17800	29000	12
WJ101414	15.875	22.225	22.23	21300	26400	29000	17
WJ121616	19.05	25.4	25.4	26800	37200	24000	23
WJ131714	20.638	26.988	22.23	25100	35000	22000	21
WJ141816	22.225	28.575	25.4	29200	43500	20000	26
WJ162112	25.4	33.338	19.05	28100	37100	18000	29
WJ162116	25.4	33.338	25.4	36800	52500	18000	38
WJ162120	25.4	33.338	31.75	44500	67200	18000	48
WJ182416	28.575	38.1	25.4	42400	57800	16000	41
WJ182420	28.575	38.1	31.75	52000	74700	16000	65
WJ202612	31.75	41.275	19.05	33400	43700	14000	43
WJ202616	31.75	41.275	25.4	44100	62300	14000	61
WJ202620	31.75	41.275	31.75	53800	81000	14000	71
WJ202624	31.75	41.275	38.1	63600	99600	14000	85
WJ222816	34.925	44.45	25.4	45800	67200	13000	67
WJ222820	34.925	44.45	31.75	56000	87200	13000	77
WJ243016	38.1	47.625	25.4	47200	71600	12000	78
WJ243020	38.1	47.625	31.75	57800	93000	12000	83
WJ243024	38.1	47.625	38.1	68100	114800	12000	100
WJ243028	38.1	47.625	44.45	77400	135700	12000	130
WJ283412	44.45	53.975	19.05	39500	59600	9900	58
WJ283416	44.45	53.975	25.4	52000	85000	9900	84
WJ283424	44.45	53.975	38.1	74700	136000	9900	115
WJ323812	50.8	60.325	19.05	42800	69000	8600	65

Radial Needle Roller and Cage Assemblies (Needle Cage)

WJ323816	50.8	60.325	25.4	56500	98000	8600	105
WJ323820	50.8	60.325	31.75	69000	127000	8600	100
WJ323824	50.8	60.325	38.1	81000	157000	8600	130
WJ323916	52.388	61.913	25.4	57800	102000	8300	99
WJ344016	53.975	63.5	25.4	52500	92080	8000	89
WJ344024	53.975	63.5	38.1	78300	153000	8000	137
WJ354112	55.563	65.088	19.05	44500	75170	7800	70
WJ354116	55.563	65.088	25.4	57800	107000	7800	94
WJ364216	57.15	66.675	25.4	53800	96080	7500	96
WJ364220	57.15	66.675	31.75	67600	128000	7500	120
WJ384424	60.325	69.85	38.1	81400	167000	7100	151
WJ404616	63.5	73.025	25.4	55600	104000	6700	106
WJ404620	63.5	73.025	31.75	69800	139000	6700	132
WJ404624	63.5	73.025	38.1	83200	173000	6700	179
WJ445016	69.85	79.375	25.4	57800	112540	6100	116
WJ485416	76.2	85.725	25.4	59600	120550	5600	126
WJ485424	76.2	85.725	38.1	85400	191720	5600	189
WJ525816	82.55	92.075	25.4	61400	128550	5100	136
WJ525824	82.55	92.075	38.1	88100	204620	5100	220
WJ566216	88.9	98.425	25.4	63200	136560	4700	146
WJ566416	88.9	101.6	25.4	79600	150350	4800	197
WJ566424	88.9	101.6	38.1	113000	237530	4800	296
WJ647216	101.6	114.3	25.4	83600	166590	4200	224
WJ647224	101.6	114.3	38.1	119000	263330	4200	335
WJ809624	127	152	38.1	211000	365200	3400	1018

Remark: Other inch series like C, PCJ are also workable.



Radial Needle Roller and Cage Assemblies (Needle Cage)

Part Number	Dimension(mm)			Load Rating (N)		Limiting Speed(RPM)	Weight g
	Fw	Ew	Bc	Dymanic	Static		
K3x5x7TN	3	5	7	1540	1290	50000	0.3
K3X5X9TN	3	5	9	1710	1480	50000	0.4
K3x6x7TN	3	6	7	1430	970	47000	0.4
K4x7x7TN	4	7	7	1740	1270	42500	0.5
K4x7x10TN	4	7	10	2330	1840	42500	0.7
K5x8x8TN	5	8	8	2350	1920	39000	0.7
K5x8x10TN	5	8	10	3000	2650	39000	0.9
K6x9x8TN	6	9	8	2600	2280	36500	0.8
K6x9x10TN	6	9	10	3350	3150	36500	1
K6x10x13TN	6	10	13	3800	3100	35500	1.3
K7x9x7TN	7	9	7	1730	1770	35500	0.6
K7x10x8TN	7	10	8	2850	2650	34500	0.9
K7x10x10TN	7	10	10	3650	3600	34500	1.1
K8x11x8TN	8	11	8	3100	3000	32500	1.1
K8x11x10TN	8	11	10	3950	4100	32500	1.7
K8x11x13TN	8	11	13	5100	5800	32500	1.8
K8x12x10TN	8	12	10	5000	4700	31500	1.3
K9x12x10TN	9	12	10	4500	5000	31000	1.5
K9x12x13TN	9	12	13	5900	7100	31000	1.9
K10x13x10TN	10	13	10	4750	5500	29500	1.6
K10x13x13TN	10	13	13	6200	7800	29500	2.1
K10x13x16TN	10	13	16	7100	9300	29500	2.2
K10x14x10TN	10	14	10	5800	6000	29000	2.9
K10x14x13TN	10	14	13	7500	8400	29000	4.3
K10x16x12TN	10	16	12	8100	7200	27500	3.7
K12x15x10TN	12	15	10	4900	6100	27000	1.9
K12x15x13TN	12	15	13	6400	8500	27000	2.4
K12x16x13TN	12	16	13	8000	9400	26500	3.8
K12x17x13TN	12	17	13	9600	10400	26500	4.4
K12x18x12TN	12	18	12	10000	9900	26000	5
K14x18x10	14	18	10	7100	8500	25000	4.8
K14x18x13	14	18	13	8200	10100	25000	6.3
K14x18x15TN	14	18	15	9500	12300	25000	7.3
K14x18x17	14	18	17	10800	14400	25000	8.1
K14x20x12	14	20	12	10300	10600	24300	8.6
K15x18x17TN	15	18	17	8000	12100	24600	6.4
K15x19x10	15	19	10	7500	9200	24300	5.1
K15x19x13	15	19	13	8500	10900	24300	7
K15x19x17	15	19	17	11300	15600	24300	8.8
K15x20x13	15	20	13	9900	11500	23900	7
K15x21x15	15	21	15	14300	16400	23600	13
K15x21x21	15	21	21	19400	24300	23600	18.2
K16x20x10	16	20	10	7800	9900	23600	5.7
K16x20x13	16	20	13	8900	11800	23600	7.1
K16x20x17	16	20	17	11700	16800	23600	9.2
K16x22x12	16	22	12	11500	12500	22900	10.4
K16x22x16	16	22	16	14800	17500	22900	13.7
K16x22x20	16	22	20	18300	22800	22900	16.7
K16x24x20	16	24	20	21400	23500	22400	24.9
K17x21x10	17	21	10	8100	10600	22900	5.6
K17x21x13	17	21	13	10400	14600	22900	7.5

Radial Needle Roller and Cage Assemblies (Needle Cage)

K17x21x17	17	21	17	12200	17900	22900	9.5
K18x22x10	18	22	10	8400	11300	22400	6.1
K18x22x13	18	22	13	9200	12700	22400	7.7
K18x22x17	18	22	17	12100	18000	22400	10.8
K18x24x12	18	24	12	12800	14900	21800	11.6
K18x24x13	18	24	13	13100	15300	21800	12.6
K18x24x20	18	24	20	20200	27000	21800	19
K18x25x22	18	25	22	23100	29000	21600	24.3
K19x23x13	19	23	13	9500	13500	21800	8.2
K19x23x17	19	23	17	12500	19200	21800	11.1
K20x24x10	20	24	10	8900	12600	21300	6.5
K20x24x13	20	24	13	9800	14300	21300	8.9
K20x24x17	20	24	17	12900	20400	21300	11.2
K20x26x12	20	26	12	13400	16200	20900	13.2
K20x26x13	20	26	13	14400	17900	20900	12
K20x26x17	20	26	17	19200	26000	20900	18.2
K20x26x20	20	26	20	21100	29000	20900	22
K20x28x16	20	28	16	19800	22400	20400	20
K20x28x20	20	28	20	23900	28500	20400	26.8
K20x28x25	20	28	25	30500	39000	20400	36.2
K20x30x30	20	30	30	35500	41500	19600	56
K21x25x13	21	25	13	10100	15100	20900	9
K22x26x10	22	26	10	9100	13400	20400	7.1
K22x26x13	22	26	13	10400	15900	20400	9.4
K22x26x17	22	26	17	13700	22700	20400	12.1
K22x28x17	22	28	17	19400	27000	19600	19.7
K22x29x16	22	29	16	20000	25500	19200	22.2
K22x30x15	22	30	15	20100	23400	18800	14.4
K22x32x24	22	32	24	34000	40000	18100	43.4
K23x35x16	23	35	16	24500	23900	16900	30
K24x28x10	24	28	10	9600	14800	18800	8.1
K24x28x13	24	28	13	11000	17600	18800	10.1
K24x28x17	24	28	17	14500	25000	18800	13.2
K24x30x17	24	30	17	19500	27500	18100	21.5
K24x30x31ZW	24	30	31	27500	43500	18100	39.1
K25x29x10	25	29	10	9900	15400	18100	8.3
K25x29x13	25	29	13	11300	18400	18100	10.4
K25x29x17	25	29	17	14900	26000	18100	13.7
K25x30x17	25	30	17	18700	30000	17800	16
K25x30x20	25	30	20	21700	36500	17800	20.5
K25x30x26ZW	25	30	26	21400	35500	17800	21.6
K25x31x17	25	31	17	19600	28500	17500	21.8
K25x31x21	25	31	21	24700	38000	17500	26.2
K25x32x16	25	32	16	20800	27500	17200	24.5
K25x33x20	25	33	20	28500	38000	16900	32
K25x33x24	25	33	24	34000	47000	16900	38.7
K25x35x30	25	35	30	47000	62000	16300	65.5
K26x30x13	26	30	13	11600	19200	17500	11.4
K26x30x17	26	30	17	15200	27500	17500	15
K26x30x22ZW	26	30	22	15700	28500	17500	12.3
K28x33x13	28	33	13	15300	24200	16100	15.2
K28x33x17	28	33	17	19700	33500	16100	19.5
K28x34x17	28	34	17	21800	33500	15800	24.2

Radial Needle Roller and Cage Assemblies (Needle Cage)

K28x35x16	28	35	16	21500	29500	15600	26
K28x35x18	28	35	18	24000	34000	15600	31
K28x40x25	28	40	25	45500	55000	14400	71
K30x34x13	30	34	13	12300	21700	15300	14.6
K30x35x13	30	35	13	15600	25500	15100	16.3
K30x35x17	30	35	17	19600	34000	15100	21.3
K30x35x27	30	35	27	30500	59000	15100	33.3
K30x37x16	30	37	16	23100	33500	14600	26.4
K30x37x18	30	37	18	26000	38500	14600	30
K30x40x18	30	40	18	32000	40000	14000	44
K30x40x30	30	40	30	49000	69000	14000	78
K32x37x13	32	37	13	15500	25500	14200	18.3
K32x37x17	32	37	17	19900	35500	14200	22.4
K32x37x27	32	37	27	30000	60000	14200	36.7
K32x38x20	32	38	20	26500	45000	14000	31
K32x39x16	32	39	16	23800	35500	13800	36.7
K32x39x18	32	39	18	26500	41000	13800	37.2
K32x40x25	32	40	25	37500	58000	13600	49
K32x40x42ZW	32	40	42	50000	84000	13600	77
K32x46x32	32	46	32	66000	84000	12600	19
K35x40x13	35	40	13	16200	28000	13100	188
K35x40x17	35	40	17	20800	38500	13100	25.3
K35x40x25	35	40	25	29500	60000	13100	31
K35x40x27	35	40	27	25000	48500	13100	23.4
K35x42x16	35	42	16	24400	37500	12700	34
K35x42x18	35	42	18	27500	43000	12700	39.2
K35x42x20	35	42	20	30000	49000	12700	62.4
K35x42x30	35	42	30	39000	68000	12700	67
K35x45x20	35	45	20	37000	50000	12300	56
K35x45x30	35	45	30	53000	79000	12300	80
K37x42x17	37	42	17	22400	43000	12400	25.8
K38x43x17	38	43	17	20500	38500	12100	26.9
K38x43x27	38	43	27	31500	68000	12100	43.2
K38x46x20	38	46	20	35500	57000	11700	46
K38x46x32	38	46	32	55000	99000	11700	72.7
K39x44x26ZW	39	44	26	27500	56000	11800	29.5
K40x45x13	40	45	13	17600	32500	11500	21.5
K40x45x17	40	45	17	21400	41500	11500	27.4
K40x45x27	40	45	27	33000	73000	11500	46
K40x47x18	40	47	18	29500	50000	11300	45.2
K40x47x20	40	47	20	32500	57000	11300	42
K40x48x20	40	48	20	36000	59000	11100	57.7
K42x47x13	42	47	13	17800	33500	11000	22.5
K42x47x17	42	47	17	21700	43000	11000	31.1
K42x47x30ZW	42	47	30	33500	76000	11000	54
K42x50x20	42	50	20	35000	57000	10700	54
K43x48x17	43	48	17	21600	43000	10800	29.3
K43x48x27	43	48	27	33500	75000	10800	45.7
K45x50x17	45	50	17	22500	46000	10300	25.5
K45x50x27	45	50	27	34500	80000	10300	50
K45x52x18	45	52	18	31500	57000	10100	51

Radial Needle Roller and Cage Assemblies (Needle Cage)

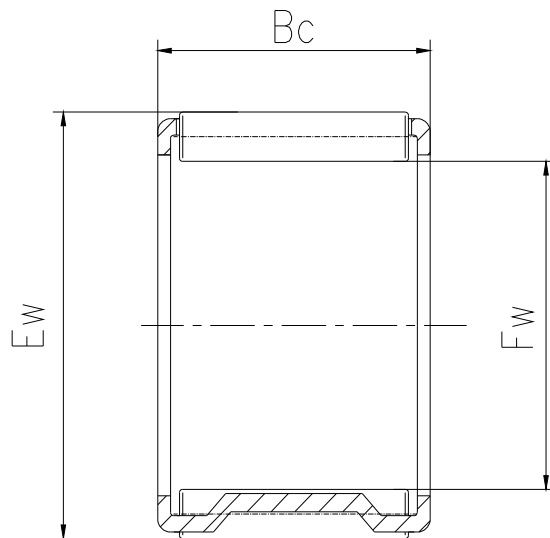
K45x53x20	45	53	20	39000	67000	10000	62.2
K45x53x21	45	53	21	38500	67000	10000	65
K45x53x28	45	53	28	52000	98000	10000	78
K45x59x18	45	59	18	44500	54000	9400	60.5
K45x59x32	45	59	32	73000	103000	9400	145.5
K47x52x17	47	52	17	23300	49000	9900	32
K47x52x27	47	52	27	35000	83000	9900	50.7
K50x55x13.5	50	55	13.5	18200	36500	9300	31
K50x55x17	50	55	17	22100	47000	9300	35
K50x55x20	50	55	20	26500	60000	9300	39.4
K50x55x30	50	55	30	39000	97000	9300	59.4
K50x57x18	50	57	18	33500	63000	9200	53.4
K50x58x20	50	58	20	35500	62000	9100	64.9
K50x58x25	50	58	25	44000	81000	9100	81
K52x57x12	52	57	12	18000	36500	9000	24
K55x60x20	55	60	20	28500	66000	8500	43.4
K55x60x27	55	60	27	38000	97000	8500	60.5
K55x60x30	55	60	30	41000	108000	8500	68.6
K55x62x18	55	62	18	35500	70000	8400	58.4
K55x63x20	55	63	20	40000	74000	8300	73.3
K55x63x25	55	63	25	50000	100000	8300	88
K55x63x32	55	63	32	62000	130000	8300	117
K58x65x18	58	65	18	35000	70000	8000	52
K58x65x36ZW	58	65	36	49000	107000	8000	127
K60x65x20	60	65	20	29500	72000	7800	50.5
K60x65x30	60	65	30	42500	116000	7800	71.2
K60x66x33ZW	60	66	33	46000	112000	7800	104
K60x66x40ZW	60	66	40	58000	151000	7800	116
K60x68x20	60	68	20	43500	85000	7700	79
60x68x23	60	68	23	49500	101000	7700	94
K60x68x25	60	68	25	53000	111000	7700	97
K60x68x30ZW	60	68	30	44500	88000	7700	136
K60x75x42	60	75	42	118000	199000	7300	240
K62x70x40ZW	62	70	40	66000	146000	7400	147.5
K64x70x16	64	70	16	28000	60000	7300	53
K65x70x20	65	70	20	30500	77000	7300	49
K65x70x30	65	70	30	44000	124000	7300	83
65x73x23	65	73	23	46000	94000	7100	100
K65x73x30	65	73	30	57000	123000	7100	126
K68x74x20	68	74	20	35500	84000	6900	65
K68x74x30	68	74	30	46500	118000	6900	97
K68x74x35ZW	68	74	35	48500	125000	6900	116
K70x76x20	70	76	20	36000	86000	6700	70
K70x76x30	70	76	30	52000	139000	6700	100
K70x78x30	70	78	30	60000	135000	6600	136
K72x80x20	72	80	20	41500	85000	6400	94
K73x79x20	73	79	20	37000	90000	6400	69
K75x81x20	75	81	20	37500	94000	6300	72
K75x81x30	75	81	30	52000	143000	6300	106

Radial Needle Roller and Cage Assemblies (Needle Cage)

K75x83x23	75	83	23	50000	109000	6200	113
K75x83x30	75	83	30	62000	143000	6200	147
K75x83x35ZW	75	83	35	63000	147000	6200	165
K75x83x40ZW	75	83	40	73000	177000	6200	190
K80x86x20	80	86	20	38500	98000	5900	76
K80x88x30	80	88	30	71000	176000	5800	141
K80x88x40ZW	80	88	40	76000	192000	5800	204
K80x88x46ZW	80	88	46	88000	231000	5800	235
K85x92x20	85	92	20	44500	108000	5500	96
K90x97x20	90	97	20	45000	113000	5200	103
K90x98x27	90	98	27	61000	150000	5200	150
K90x98x30	90	98	30	68000	172000	5200	172
95x103x30	95	103	30	69000	180000	4950	177
K95x103x40ZW	95	103	40	83000	228000	4950	250
K100x107x21	100	107	21	48000	127000	4750	120
K100x108x27	100	108	27	57000	143000	4700	176
K100x108x30	100	108	30	71000	188000	4700	190
K105x112x21	105	112	21	47500	127000	4500	123
K110x117x24	110	117	24	56000	158000	4300	146
K110x118x30	110	118	30	78000	219000	4300	217
K115x123x27	115	123	27	63000	170000	4100	200
K120x127x24	120	127	24	59000	174000	3950	165
K125x133x35	125	133	35	86000	260000	3800	275
K130x137x24	130	137	24	61000	186000	3650	170
K135x143x35	135	143	35	91000	290000	3550	300
K145x153x26	145	153	26	74000	225000	3300	262
K150x160x46	150	160	46	147000	470000	3150	570
K155x163x26	155	163	26	75000	236000	3100	265
K160x170x46	160	170	46	152000	510000	2950	550
K165x173x26	165	173	26	81000	265000	2900	320
K175x183x32	175	183	32	99000	350000	2750	400
K185x 195x37	185	195	37	128000	425000	2600	607
K195x205x37	195	205	37	133000	450000	2450	620
K210x220x42	210	220	42	154000	560000	2280	740
K220x230x42	220	230	42	158000	590000	2180	790
K240x250x42	240	250	42	164000	630000	2000	850
K265x280x50	265	280	50	255000	860000	1800	1810

Remark: Other inch series like KT, FWJ, R, RS and B are also workable.

Radial Needle Roller and Cage Assemblies (Needle Cage)

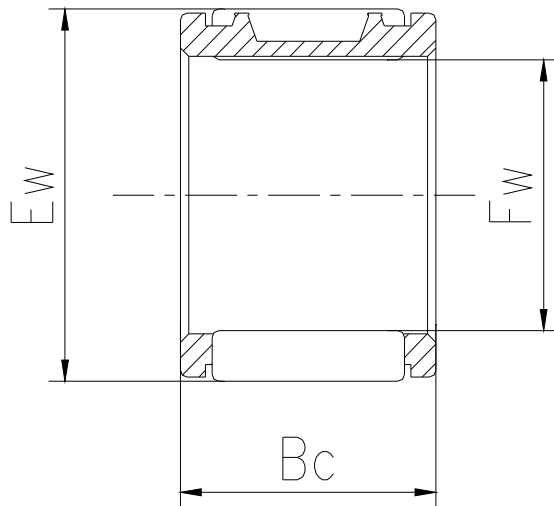


KZK

Part Number	Dimension(mm)			Load Rating(N)		Weight g
	Fw	Ew	Bc	Dymanic	Static	
KZK8x12x8	8	12	8	3900	3400	1.9
KZK10x14x10	10	14	10	4150	3900	3.3
KZK12x16x10	12	16	10	6400	7200	3.5
KZK12x17x10	12	17	10	7400	7400	5
KZK13x17x10	13	17	10	6500	7300	4
KZK14x18x10	14	18	10	7100	8500	4
KZK14.4x20.4x10	14.4	20.4	10	8100	7800	6.5
KZK15x21x11.5	15	21	11.5	10100	10600	9
KZK16x21x10	16	21	10	8600	9600	5.8
KZK16x22x10	16	22	10	9200	9500	7.7
KZK16x22x12	16	22	12	10900	11700	9.8
KZK18x24x12	18	24	12	11600	13100	10
KZK18x24x13	18	24	13	12100	13800	12.5
KZK19x25x15	19	25	15	13000	15400	15
KZK20x28x16	20	28	16	17900	19700	26
KZK22x28x13	22	28	13	13900	17500	15
KZK22x28x16	22	28	16	15600	20200	18
KZK22x29x16	22	29	16	17800	21800	19
KZK23.1x28.1x14	23.1	28.1	14	13100	18600	12.9
KZK25x32x16	25	32	16	18200	23100	22.7
KZK25.1x30.1x14	25.1	30.1	14	14000	20800	14.1
KZK26x31x16	26	31	16	17200	27500	16
KZK26x33x14	26	33	14	19100	24900	23
KZK28x33x14	28	33	14	14800	23100	15.7
KZK28x35x17	28	35	17	21700	30000	33
KZK28x35x18	28	35	18	23400	33000	27
KZK28x36x14	28	36	14	20300	25000	28
KZK28x36x16	28	36	16	23300	30000	30
KZK30x38x16	30	38	16	22800	30000	34.4
KZK30x38x18	30	38	18	25500	35000	38.8

Remark: Other inch series like KT..EG, FWF, RK, VS and VS..P are also workable.

Radial Needle Roller and Cage Assemblies (Needle Cage)



Part Number	Dimension(mm)			Load Rating(N)		Weight g
	Fw	Ew	Bc	Dymanic	Static	
KBK8x11x10	8	11	10	3450	3450	1.85
KBK9x12x10	9	12	10	3700	3900	4
KBK9x12x11.7	9	12	11.7	4200	4600	4
KBK9x13x12.5	9	13	12.5	6000	6100	4.9
KBK10x13x12.5	10	13	12.5	5000	5900	4
KBK10x13x14.5	10	13	14.5	5400	6600	5.1
KBK10x14x10	10	14	10	4800	4700	3.4
KBK10x14x12.7	10	14	12.7	6500	6900	5
KBK10x14x13	10	14	13	6000	6200	5.4
KBK11x14x15	11	14	15	6600	8600	3
KBK12x15x15	12	15	15	6000	7900	5.6
KBK12x15x17.5	12	15	17.5	7800	11000	6.5
KBK12x16x13	12	16	13	6900	7800	6.7
KBK12x16x16	12	16	16	8000	9500	8.5
KBK12x17x13	12	17	13	8300	8600	8
KBK12x17x14.4	12	17	14.4	9600	10400	8.5
KBK13x16x14	13	16	14	6200	8300	5.5
KBK13x17x14.5	13	17	14.5	8500	10400	8
KBK13x17x17.5	13	17	17.5	9100	11300	10
KBK14x17x20	14	17	20	9400	14700	8
KBK14x18x17	14	18	17	9100	11600	10.1
KBK15x19x17	15	19	17	8900	11500	9
KBK15x19x19.5	15	19	19.5	10600	14300	12.6
KBK15x19x20	15	19	20	11300	15500	12.9
KBK15x19x24	15	19	24	12400	17600	11
KBK16x 20x20	16	20	20	11800	16900	13.4
KBK18x22x22	18	22	22	13600	21000	16.9
KBK18x22x24	18	22	24	14100	22000	18.4
KBK18x23x23.15	18	23	23.15	16700	23500	22
KBK20x25x22	20	25	22	16200	23300	19.5
KBK20x25x23.15	20	25	23.15	17400	25500	28
KBK22x27x25	22	27	25	20500	32500	30

Remark: Other inch series like KTV..EG, FBN, R..P and UR..P are also workable.