

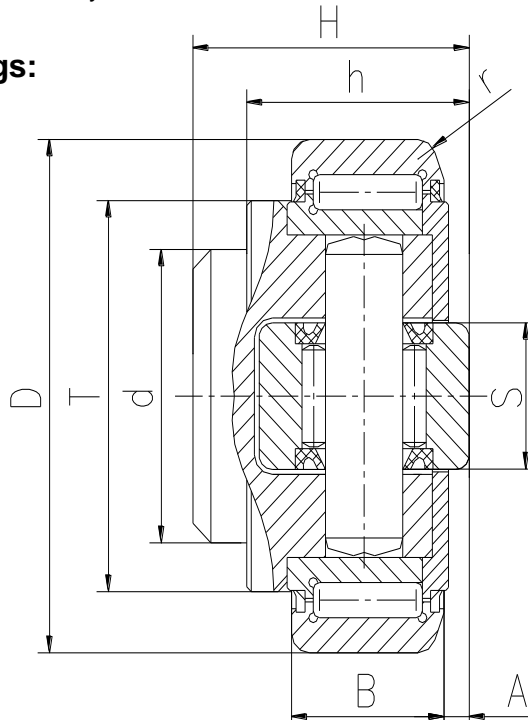


Overview: Bearings for Material Handling System Track roller bearings can withdraw heavy load rating and shock load rating by their thick outer race. They are ready-to-fit units and are intended for all types of cam drives, tracks, conveyors, material handling systems and so on.

Application: Forklift Masts, Steel Industry, Iron Plants, Tool Machines, Internal Movement Plants

Forklift Mast Roller Bearings:

Standard Combined Bearings:

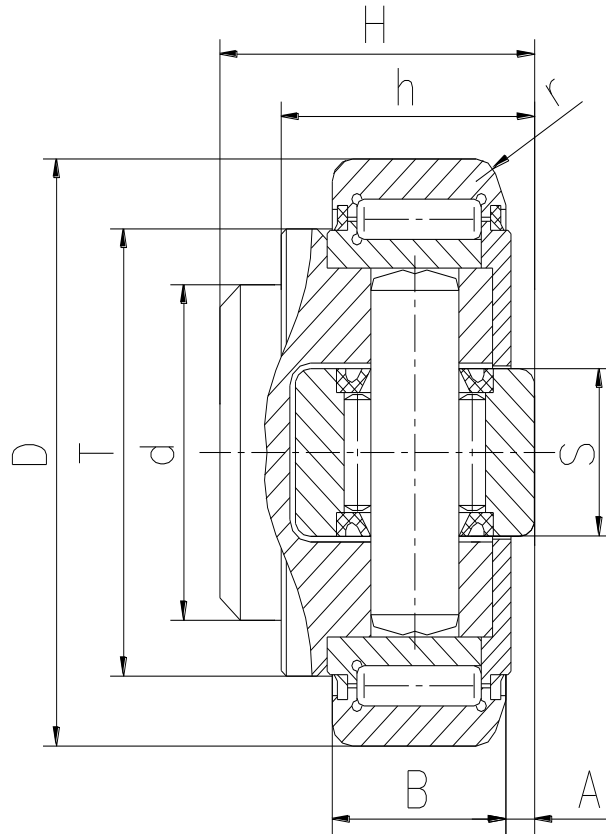


Part Number	Dimension(mm)									Load Rating(KN)			
	d	T	D	H	h	B	A	S	r	C	Co	Ca	Coa
4.0053	30	40	52.5	33	27	17	5	15	2	24	32	7	7
4.0054	30	42	62	37.5	30.5	20	2.5	20	3	31	35.5	11.1	11.5
4.0055	35	48	70.1	44	36	23	2.5	22	4	45.5	51	14	13
4.0056	40	53	77.7	48	36.5	23	3	24	4	48	56.8	18	18
4.0058	45	59	88.4	57	44	30	3.5	26	3	68	72	23	23
4.0061	60	71	108	69	55	31	4	34	5	81	95	31	36
4.0062	60	80	123	72.3	56	37	5	40	5	110	132	43	50
4.0063	60	108	149	78.5	58.5	45	5.5	50	3	151	192	68	71
4.0011	60	108	149	86	67	45	5.5	50	3	151	192	68	71
4.0037	80	120	174	95	71	55	7	63	7	278	518	132	210
4.0039	80	120	185	95	71	55	7	63	7	278	518	132	210

Remark:1: 4.0053 and 4.0054 are not provided with lubrication hole.

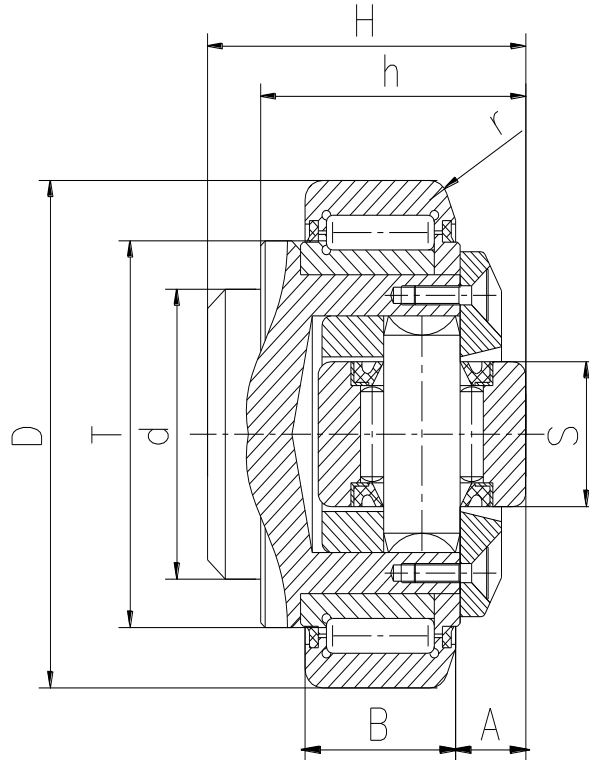
2: 4.0055 can be provided with lubrication hole on request of the customer.

Forklift Mast Rollers Combined Bearings(Kombirollen,Cuscinetti Combinati, Rodamientos Combinados, Rouleaux combines, Material Handling System Bearings)



Part Number		Dimension(mm)									Load Rating(KN)			
ZZ	2RS	d	T	D	H	h	B	A	S	r	C	Co	Ca	Coa
MR.001	MR.021	30	42	62	37.5	30.5	20	2.5	20	3	31	35.5	11.1	11.5
MR.002	MR.022	35	48	70.1	44	36	23	2.5	22	4	45.5	51	14	13
MR.003	MR.023	40	53	77.7	48	36.5	23	3	24	4	48	56.8	18	18
MR.005	MR.025	45	59	88.9	57	44	30	3.5	26	3	68	72	23	23
MR.007	MR.027	60	71	108	69	55	31	4	34	5	81	95	31	36
MR.009	MR.029	60	80	123	72.3	56	37	5	40	5	110	132	43	50
MR.010	MR.030	60	108	149	78.5	58.5	45	5.5	50	3	151	192	68	71
MR.191	~~	60	108	149	86	67	45	5.5	50	3	151	192	68	71

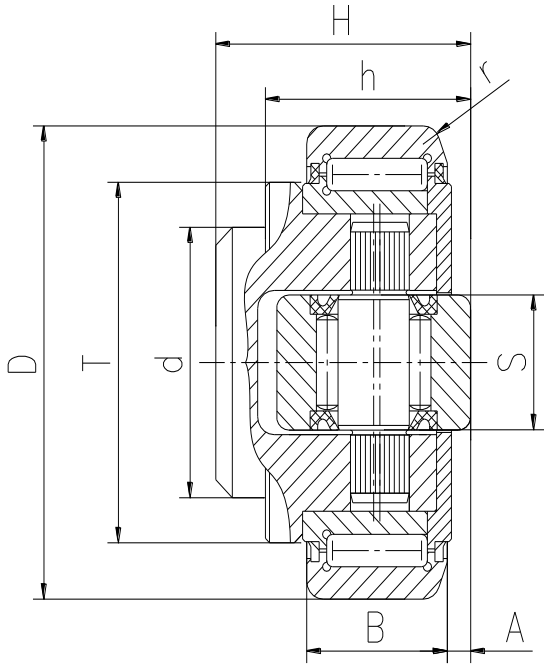
Adjustable Combined Bearings:



Part Number	Dimension(mm)									Load Rating(KN)			
	d	T	D	H	h	B	A	S	r	C	Co	Ca	Coa
4.0072	30	42	62	43	33	20	5.5	16	3	31	35.5	8	8
4.0073	35	48	70.1	48	40	23	6.5	16	4	45.5	51	14	14
4.0074	40	53	77.7	51	39.5	23	7	21	4	48	56.8	14	14
4.0076	45	59	88.4	61	48	30	7	21	3	68	72	15	15
4.0078/L	60	71	108	73	59	31	8	33	5	81	95	31	36
4.0079	60	80	123	75.8	59.5	37	8	33	5	110	132	31	36
4.0080	60	103	149	89	69	45	15	50	5	151	192	68	71

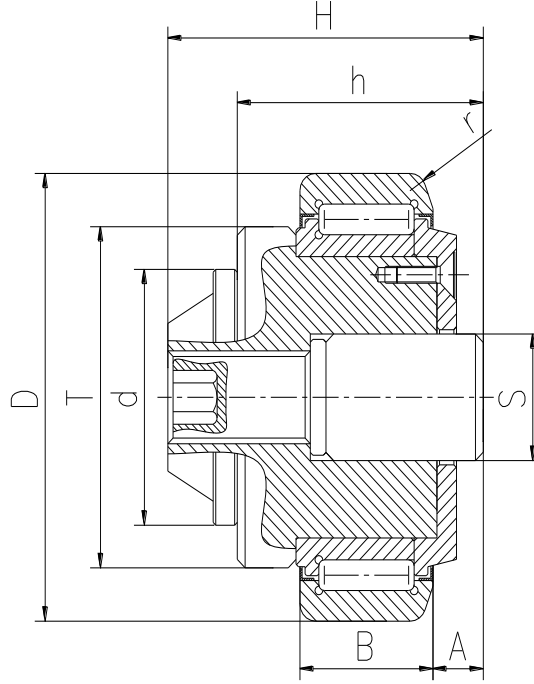
Part Number	Dimension(mm)									Load Rating(KN)			
	d	T	D	H	h	B	A	S	r	C	Co	Ca	Coa
MR.146	30	42	62	43	33	20	5.5	16	3	31	35.5	8	8
MR.147	35	48	70.1	48	40	23	6.5	16	4	45.5	51	14	14
MR.148	40	53	77.7	51	39.5	23	7	21	4	48	56.8	14	14
MR.150	45	59	88.9	61	48	30	7	21	3	68	72	15	15
MR.142	60	71	108	73	59	31	8	33	5	81	95	31	36
MR.153	60	80	123	75.8	59.5	37	8	33	5	110	132	31	36
MR.154	60	103	149	89	69	45	15	50	5	151	192	68	71

Adjustable Combined Bearings with Eccentric Pin:



4.04 Series

Adjustable Combined Bearings with Cap:

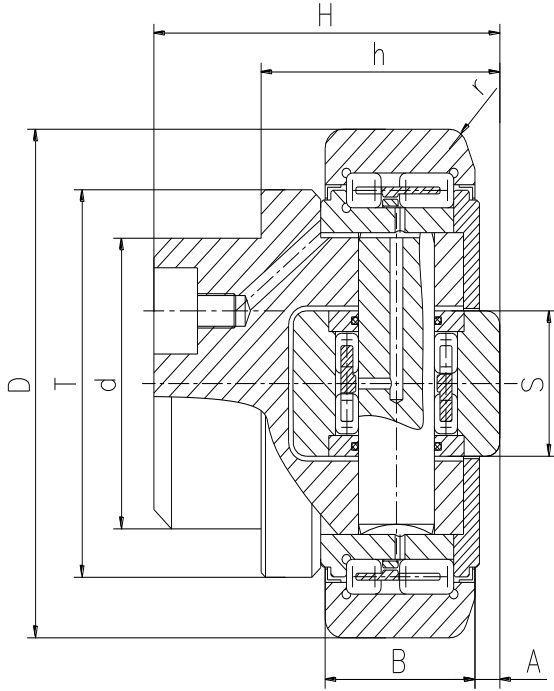


4.05 Series

Part Number	Dimension(mm)										Load Rating(KN)			
	d	T	D	H	h min.	h max.	B	A	S	r	C	Co	Ca	Coa
4.0454	30	42	62	37.5	30.5	32	20	4	20	3	39	65	16	25
4.0455	35	48	70.1	44	36	37.5	23	4	20	4	56	93	16	25
4.0456	40	54	77.7	48	37	38.5	23	3.5	26	4	59	102	23	36
4.0458	45	59	88.4	57	44	45.5	30	4	26	4	85	134	23	36
4.0461	60	69	108	69	55	57	31	4	30	5	100	174	32	50
4.0462	60	80	123	72.3	56	60	37	4.5	34	5	135	242	41	72
4.0463	60	108	149	78.5	58.5	62.5	45	6	34	3	183	353	41	72

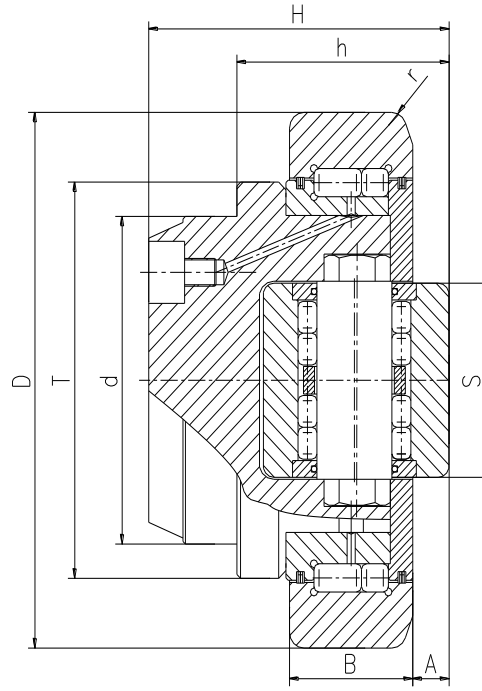
Part Number	Dimension(mm)										Load Rating(KN)	
	d	T	D	H	h	B	A	S	r	C	Co	
4.0562	30	42	62	37.5	30.5	20	2.5	18	3	31	35.5	
4.0563	35	48	70.1	44	36	23	2.5	18	4	45.5	51	
4.0564	40	53	77.7	48	36.5	23	3	18	4	48	56.8	
4.0565	45	59	88.4	57	44	30	3.5	18	3	68	72	
4.0566	60	71	108	69	55	31	4	25	5	81	95	
4.0567	60	80	123	72.3	56	37	5	40	5	110	132	
4.0568	60	108	149	78.5	58.5	45	5.5	40	3	151	192	
4.0569	60	108	149	86	67	45	5.5	40	3	151	192	

Combined Bearings for High Speed:



4.02 Series

"JUMBO" Adjustable Combined Bearings:

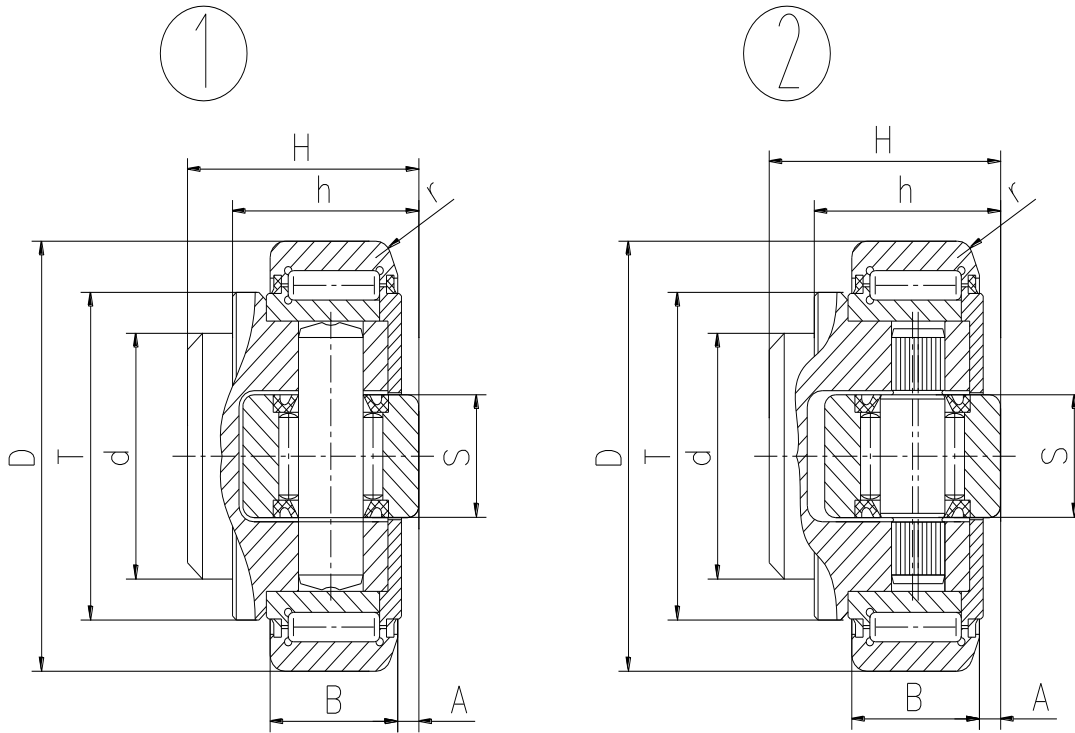


4.00 Series

Part Number	Dimension(mm)									Load Rating(KN)			
	d	T	D	H	h	B	A	S	r	C	Co	Ca	Coa
4.0235	45	59	88.9	57	44	30	3.5	26	3	46.6	50	26	32.2
4.0227	60	71	108	69	55	31	4	34	5	76	90	30	32
4.0228	60	80	123	72.3	56	37	5	40	5	106	120	42	46
4.0229	60	108	149	86	67	45	5	50	3	129	180	62	70
4.0230	80	120	185	90.5	76	55	7	65	7.5	170	250	80	104

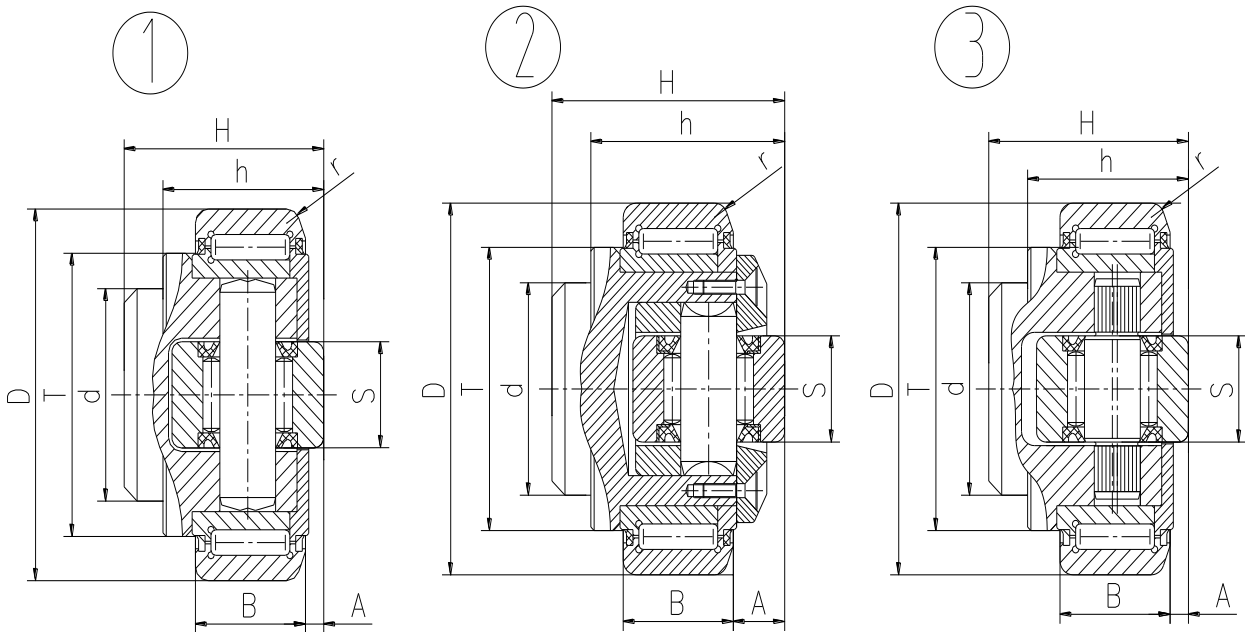
Part Number	Dimension(mm)							Load Rating(KN)						
	d	T	D	H	h min.	h max.	B	A	S	r	C	Co	Ca	Coa
4.0089	80	113	165	69	53	56	40	5	50	3	213	388	85	133
4.0090	100	124	190	84.5	64.5	67.5	48	6.5	60	4	266	500	100	180
4.0091	110	146	220	94.5	74.5	77.5	58	6.5	75	5	326	681	138	257
4.0092	120	168	250	102	77	80	60	7	75	5	369	748	138	257
4.0093	150	188	280	120	89.5	93.5	72	7.5	90	5	489	1066	182	488
4.0094	140	218	320	135	110	114	85	10	90	8	542	1370	210	422

Precision Combined Bearings:



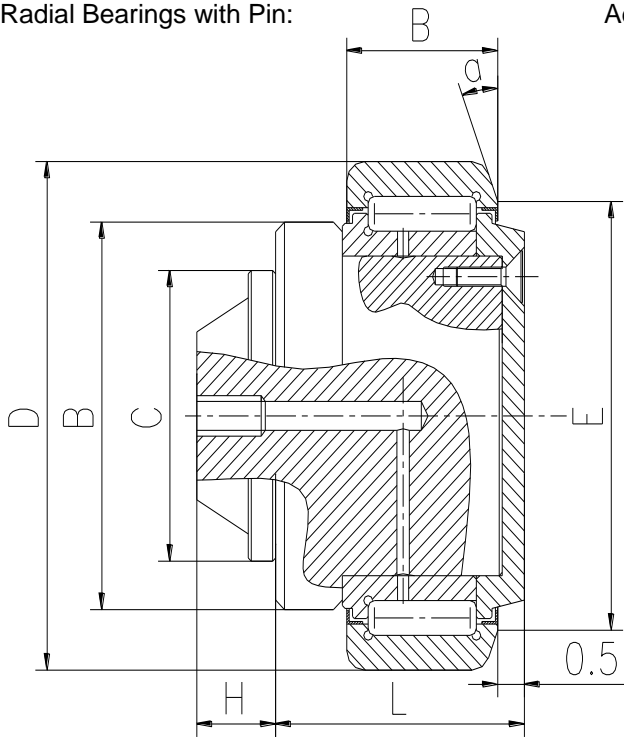
Part Number	Dimension(mm)									Load Rating(KN)				Ref.
	d	T	D	H	h min./h max.	B	A	S	r	C	Co	Ca	Coa	
DR 4.0054	30	42	64.8	37.5	30.5	20	2.5	20	3	31	35.5	11	11	1
DR 4.0454	30	42	64.8	37.5	30.5-32	20	4	20	3	31	35.5	11	11	2
DR 4.0055	35	48	73.8	44	36	23	2.5	22	4	45.5	51	13	14	1
DR 4.0455	35	48	73.8	44	36-37.5	23	4	20	4	45.5	51	11	11	2
DR 4.0056	40	54	81.8	48	36.5	23	3	26	4	48	56.8	18	18	1
DR 4.0456	40	54	81.8	48	37-38.5	23	3.5	26	4	48	56.8	18	18	2
DR 4.0058	45	59	92.8	57	44	30	3.5	26	3	68	72	23	23	1
DR 4.0458	45	59	92.8	57	44-45.5	30	4	26	4	68	72	23	23	2
DR 4.0061	60	71	112	69	55	31	4	34	5	81	95	31	36	1
DR 4.0461	60	69	112	69	55-57	31	4	30	5	81	95	25	27	2
DR 4.0062	60	80	128	72.3	56	37	5	40	5	110	132	43	50	1
DR 4.0462	60	80	128	72.3	56-60	37	5	34	5	110	132	31	36	2
DR 4.0063	60	103	154	78.5	58.5	43	5.5	50	3	151	192	68	71	1
DR 4.0463	60	108	154	78.5	58.5-62.5	45	6	34	3	151	192	31	36	2

Combined Bearings for "I" Standard Profiles:



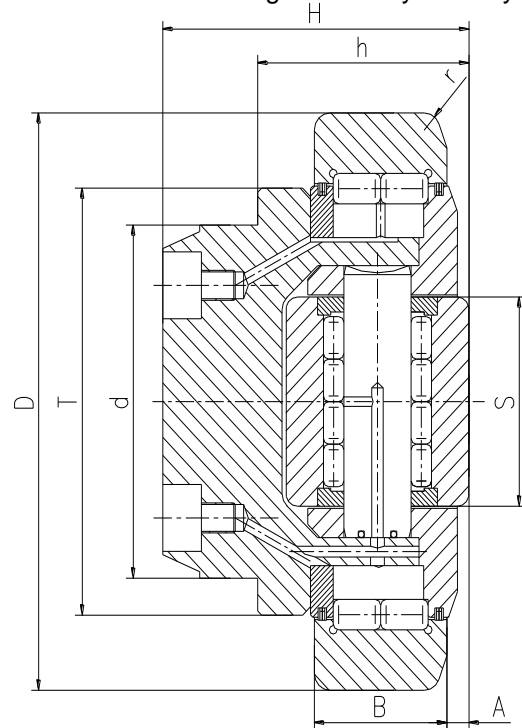
Part Number	Dimension(mm)									Load Rating(KN)				Ref.
	d	T	D	H	h	B	A	S	r	C	Co	Ca	Coa	
4.0055/1	35	48	70.1	40	30.5	23	2.5	22	4	45.5	51	14	13	1
4.0057	40	53	77.7	40.7	29	23	3	26	4	48	56.8	18	18	1
4.0075	40	53	77.7	45	34	23	7	21	4	48	56.8	14	14	2
4.0457	40	54	77.7	40	29	23	3.5	26	4	59	102	23	36	3
4.0058/52	45	59	88.4	52	39	30	3.5	26	3	68	72	23	23	1
4.0059	50	67	101	46	33	28	3	30	3	73	82	25	27	1
4.0077	50	67	101	50.5	37.5	28	7	21	3	73	82	18	19	2
4.0459	50	69	101	46	33	26	4.5	30	3	91	140	32	50	3
4.0060	55	71	108	53	39	31	3	34	5	81	95	31	36	1
4.0078	55	71	108	58.5	44.5	31	8	33	5	81	95	31	36	2
4.0460	55	69	108	54	40	31	4	30	5	100	174	32	50	3
4.0259	55	76	124	57	42	33	4.5	33	5	114	194	40	48	2

Radial Bearings with Pin:



2.0, 9.2 and 2.1 Series

Adjustable Combined Bearings for Heavy Industry Industr

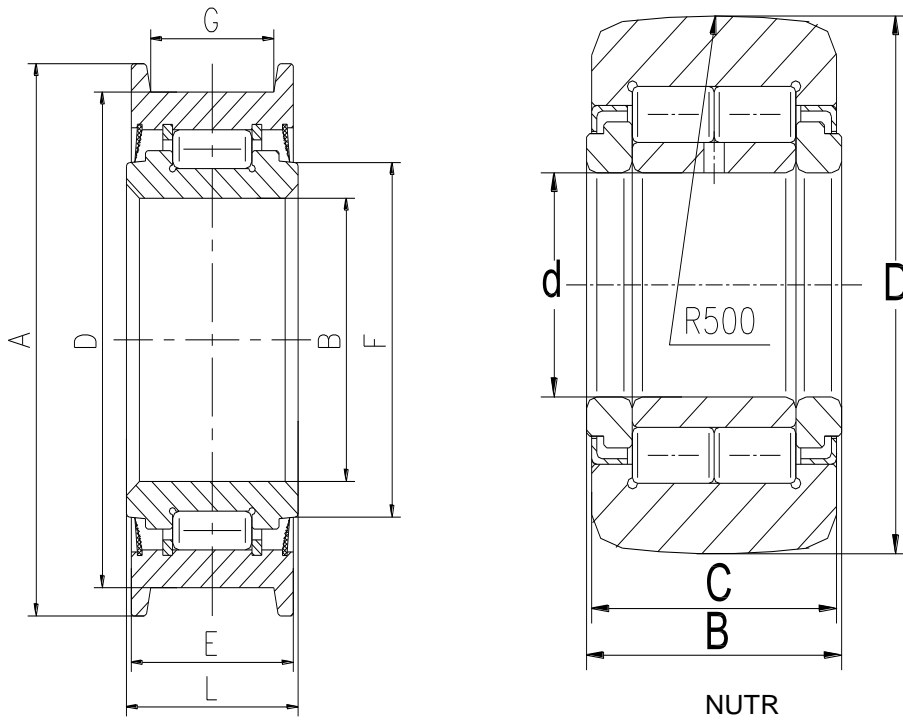


4.00 and 4.02 Series

Part Number	Dimension(mm)								Load Rating(KN)	
	C	B	D	L	F	H	E	a	C	Co
2.0856	25	42	62	23.5	20	7	50	20°	31	35.5
2.0363	30	42	62	29.5	20	7	50	20°	31	35.5
2.036	35	48	70.1	33.5	23	8.2	57	20°	45.5	51
9.2102	40	53	78.1	32	23	11	61	20°	48	56.8
2.0448	45	59	88.9	41	30	13	68	20°	68	72
2.1641	55	69	108	35	31	14	82	20°	81	95
2.1641/1	60	69	108	50.5	31	14	82	20°	81	95
2.1642	60	79	123	51.5	37	16.3	92	20°	110	132
2.1643	60	103	149	54	43	20	116	15°	151	192

Part Number	Dimension(mm)									Load Rating(KN)			
	d	T	D	H	h	B	A	S	r	C	Co	Ca	Coa
4.0069	70	98	170	110	84.7	51	11.2	49.7	4	195	361	83	129
4.0087	80	115	185	100	75	47	15	49.7	3	235	440	83	130
4.0019	110	150	220	115	90	60	13.5	70	5	367	719	103	230
4.0038	130	184	260	120	95	60	18.5	80	5	475	1000	167	279
4.0274	150	187	260	135	110	80	10	80	5	566	1300	167	279
4.0088	140	190	300	140	110	80	10	86	8	549	1272	195	335
4.0278	140	240	315	240	120	89	10	100	8	785	1690	227	392
4.0084	140	240	340	150	120	89	10	100	8	785	1690	227	392
4.0275	170	242	390	200	150	118	11	100	8	1076	2535	227	392

Chain Pulleys:



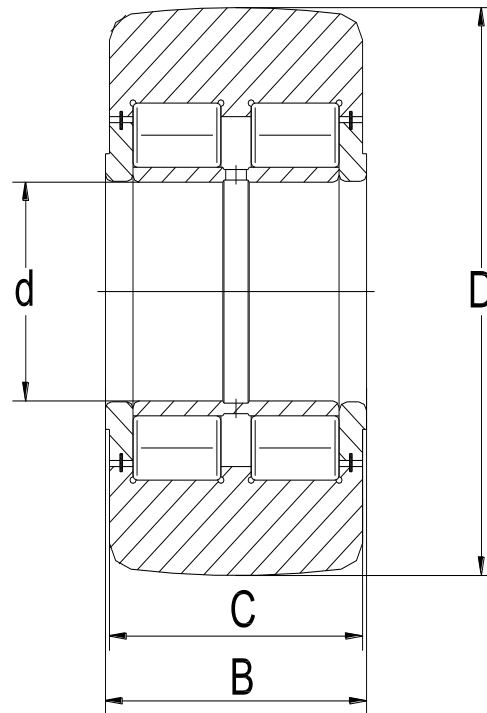
Part Number	Dimension(mm)							Load Rating(KN)	
	B	D	L	E	G	A	F	C	Co
2.0247/2	40	70	26.5	25	19	78	50	44	46
2.1644/2	40	80	28	26	19	90	50	50	54
2.0252	40	80	43	41	33	98	50	81	87
2.1080/2	40	85	38	36	28	98	50	64	70
2.0241/2	50	100	42	40	33	115	60	89	162
2.1190	55	110	58	56	45	135	65	135	146
2.1191	55	130	67	65	55	158	65	200	218

Forklift Attachments Bearings:

Part Number	Dimension (mm)				Load Rating(N)		Limiting Speed (RPM)	Weight(Kg)
	D	d	B	C	Dynamic	Static		
NUTR15	35	15	19	18	15300	18700	6500	0.099
NUTR17	40	17	21	20	18700	24900	5500	0.147
NUTR1542	42	15	19	18	18300	24300	6500	0.158
NUTR1747	47	17	21	20	21600	30500	5500	0.22
NUTR20	47	20	25	24	28500	37500	4200	0.245
NUTR2052	52	20	25	24	32000	44000	4200	0.321
NUTR25	52	25	25	24	29000	40500	4200	0.281
NUTR2562	62	25	25	24	35500	54000	4200	0.45
NUTR30	62	30	29	28	40000	55000	2600	0.465
NUTR3072	72	30	29	28	48000	70000	2600	0.697
NUTR35	72	35	29	28	45000	65000	2100	0.63
NUTR3580	80	35	29	28	51000	78000	2100	0.836
NUTR40	80	40	32	30	56000	80000	1600	0.816
NUTR45	85	45	32	30	56000	83000	1400	0.883
NUTR4090	90	40	32	30	66000	101000	1600	1.129
NUTR50	90	50	32	30	56000	86000	1300	0.95
NUTR45100	100	45	32	30	72000	115000	1400	1.396
NUTR50110	110	50	32	30	76000	128000	1300	1.69

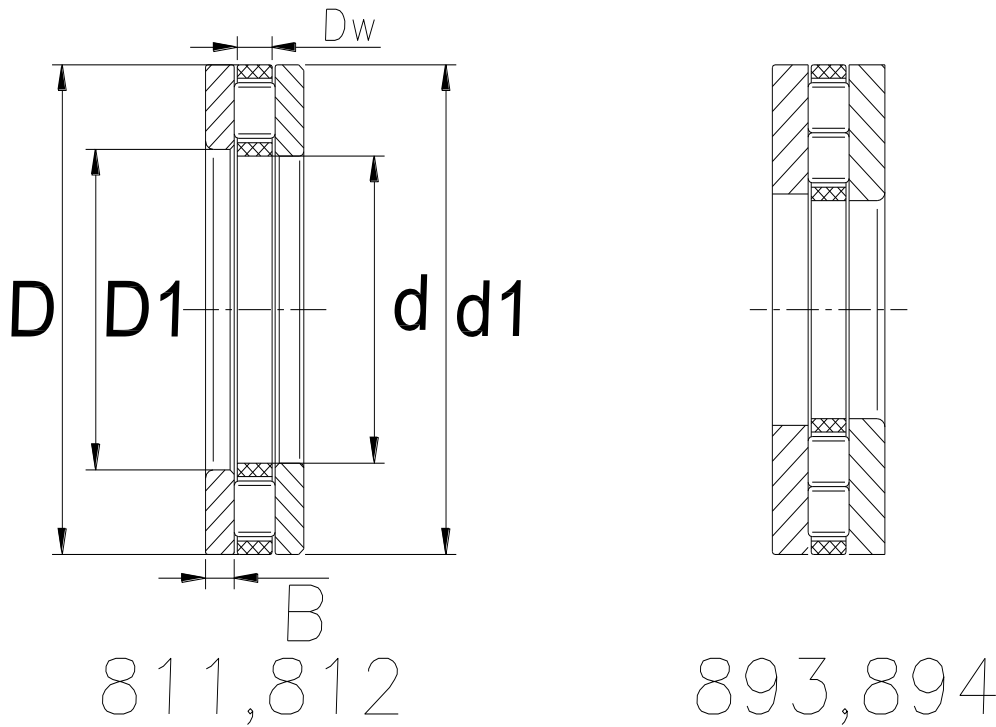
Steel Industry Bearings:

Yoke Type Track Rollers:



Part Number	Dimension(mm)				Load Rating(KN)				Limiting Speed(RPM)	Weight (Kg)
	D	d	B	C	C	Co	Cw	Cow		
TTR50X130X65ZZ	130	50	65	63	211	324	162	220	1100	5.2
TTR55X140X70ZZ	140	55	70	68	285	524	197	279	850	6.4
TTR60X150X75ZZ	150	60	75	73	298	471	229	325	800	7.8
TTR65X160X75ZZ	160	65	75	73	313	460	240	342	700	8.8
TTR70X180X85ZZ	180	70	85	83	409	668	308	453	600	13
TTR80X200X90ZZ	200	80	90	88	473	739	363	538	500	16.8
TTR90X220X100ZZ	220	90	100	98	607	909	466	710	400	22.5
TTR100X240X105ZZ	240	100	105	103	689	1090	530	820	340	28
TTR110X260X115ZZ	260	110	115	113	813	1303	625	1005	300	35.6
TTR120X290X135ZZ	290	120	135	133	1060	1745	815	1323	260	52.8
TTR130X310X146ZZ	310	130	146	144	1214	2193	933	1545	240	65.2
TTR140X340X162ZZ	340	140	162	160	1494	2295	1149	1912	200	84.8
TTR150X360X173ZZ	360	150	173	171	1668	2604	1280	2170	180	101.4

Axial Cylindrical Roller Bearings:



Part Number	Dimension(mm)						Load Rating(N)		Limiting Speed (RPM)
	d	D1	D	d1	Dw	B	Co	Cor	
81106	30	32	47	47	5	3	35.5	86	7500
81206	30	32	52	52	7.5	4.25	64	141	7100
89306	30	32	60	60	5.5	6.25	69	197	6400
81107	35	37	52	52	5	3.5	39	101	6600
81207	35	37	62	62	7.5	5.25	80	199	5900
89307	35	37	68	68	6	7	80	237	5600
81108	40	42	60	60	6	3.5	56	148	5800
81208	40	42	68	68	9	5	107	265	5200
89308	40	42	78	78	7	7.5	122	385	4800
81109	45	47	65	65	6	4	59	163	5300
81209	45	47	73	73	9	5.5	105	265	4850
89309	45	47	85	85	7.5	8.25	139	445	4400
81110	50	52	70	70	6	4	61	177	4800
81210	50	52	78	78	9	6.5	117	315	4450
89310	50	52	95	95	8	9.5	167	560	3950
81111	55	57	78	78	6	5	90	300	4300
81211	55	57	90	90	11	7	154	405	4000
89311	55	57	105	105	9	10.5	184	600	3600
81112	60	62	85	85	7.5	4.75	103	315	4000
81212	60	62	95	95	11	7.5	172	480	3700
89312	60	62	110	110	9	10.5	196	670	3350
89412	60	62	130	130	14	14	390	1220	3000
81113	65	67	90	90	7.5	5.25	107	340	3700
81213	65	67	100	100	11	8	177	500	3450
89313	65	67	115	115	9	10.5	194	670	3200

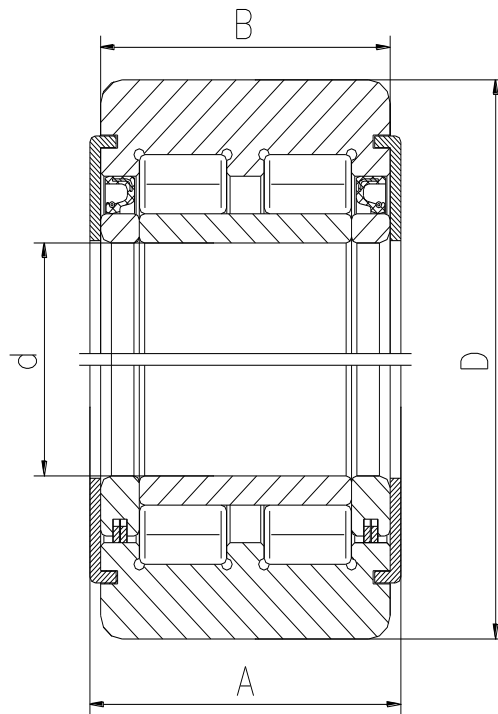
Forklift Mast Rollers Combined Bearings(Kombirollen,Cuscinetti Combinati, Rodamientos Combinados, Rouleaux combines, Material Handling System Bearings)

89413	65	68	140	140	15	15	445	1410	2800
81114	70	72	95	95	7.5	5.25	111	365	3500
81214	70	72	105	105	11	8	187	550	3250
89314	70	72	125	125	10	12	239	830	2950
89414	70	73	150	150	16	16	475	1500	2650
81115	75	77	100	100	7.5	5.75	107	350	3300
81215	75	77	110	110	11	8	172	500	3100
89315	75	77	135	135	11	12.5	285	1010	2750
89415	75	78	160	160	17	17	500	1580	2400
81116	80	82	105	105	7.5	5.75	106	350	3100
81216	80	82	115	115	11	8.5	201	630	2900
89316	80	82	140	140	11	12.5	305	1110	2600
89416	80	83	170	170	18	18	560	1770	2260
81117	85	87	110	110	7.5	5.75	112	385	2950
81217	85	88	125	125	12	9.5	217	660	2750
89317	85	88	150	150	12	13.5	325	1140	2400
89417	85	88	180	180	19	19.5	620	1980	2130
81118	90	92	120	120	9	6.5	141	465	2750
81218	90	93	135	135	14	10.5	290	890	2550
89318	90	93	155	155	12	13.5	335	1200	2310
89418	90	93	190	190	20	20	680	2200	2010
81120	100	102	135	135	11	7	199	650	2460
81220	100	103	150	150	15	11.5	340	1080	2300
89320	100	103	170	170	13	14.5	380	1400	2090
89420	100	103	210	210	22	22.5	850	2850	1810
81122	110	112	145	145	11	7	207	700	2260
81222	110	113	160	160	15	11.5	325	1030	2130
89322	110	113	190	190	15	16.5	500	1870	1890
89422	110	113	230	230	24	24.5	1000	3400	1660
81124	120	122	155	155	11	7	214	760	2100
81224	120	123	170	170	15	12	340	1120	1990
89324	120	123	210	210	17	18.5	640	2420	1710
89424	120	123	250	250	26	26	1160	4000	1520
81126	130	132	170	170	12	9	250	900	1930
81226	130	133	190	187	19	13	480	1520	1800
89326	130	134	225	225	18	20	710	2700	1590
89426	130	134	270	270	28	28.5	1330	4600	1400
81128	140	142	180	178	12	9.5	260	960	1800
81228	140	143	200	197	19	13.5	455	1450	1700
89328	140	144	240	240	19	20.5	820	3200	1490
89428	140	144	280	280	28	28.5	1380	4950	1340
81130	150	152	190	188	12	9.5	270	1020	1700
81230	150	153	215	212	21	14.5	590	1940	1540
89330	150	154	250	250	19	20.5	840	3350	1410
89430	150	154	300	300	30	30	1570	5700	1240
81132	160	162	200	198	12	9.5	260	990	1600
81232	160	163	225	222	21	15	600	2030	1470
89432	160	164	320	320	32	31.5	1780	6500	1160
81134	170	172	215	213	14	10	360	1380	1500
81234	170	173	240	237	22	16.5	680	2340	1370
89434	170	174	340	340	34	34.5	1990	7400	1090

Forklift Mast Rollers Combined Bearings(Kombirollen,Cuscinetti Combinati, Rodamientos Combinados, Rouleaux combines, Material Handling System Bearings)

81136	180	183	225	222	14	10	340	1300	1420
81236	180	183	250	247	22	17	690	2440	1310
89436	180	184	360	360	36	36.5	2210	8200	1040
81138	190	193	240	237	15	11	385	1500	1330
81238	190	194	270	267	26	18	880	3000	1220
89438	190	195	380	380	38	38.5	2450	9200	990
81140	200	203	250	247	15	11	390	1550	1270
81240	200	204	280	277	26	18	900	3150	1170
89440	200	205	400	400	40	41	2700	####	940
81144	220	223	270	267	15	11	420	1730	1170
81244	220	224	300	297	26	18.5	940	3450	1080
89444	220	225	420	420	40	41	2900	####	870
81148	240	243	300	297	18	13.5	600	2500	1050
81248	240	244	340	335	32	23	1370	5000	960
89448	240	245	440	440	40	41	3000	####	830
81152	260	263	320	317	18	13.5	620	2650	980
81252	260	264	360	355	32	23.5	1440	5400	910
89452	260	265	480	480	44	44	3600	####	760
81156	280	283	350	347	22	15.5	860	3650	900
81256	280	284	380	375	32	24	1460	5600	850
89456	280	285	520	520	48	48.5	4200	####	700
81160	300	304	380	376	25	18.5	1060	4500	840
81260	300	304	420	415	38	28.5	1930	7300	780
89460	300	305	540	540	48	48.5	4350	####	670
81164	320	324	400	396	25	19	1100	4750	790
89464	320	325	580	575	68	43.5	5500	####	630

Simple Counter Rollers:

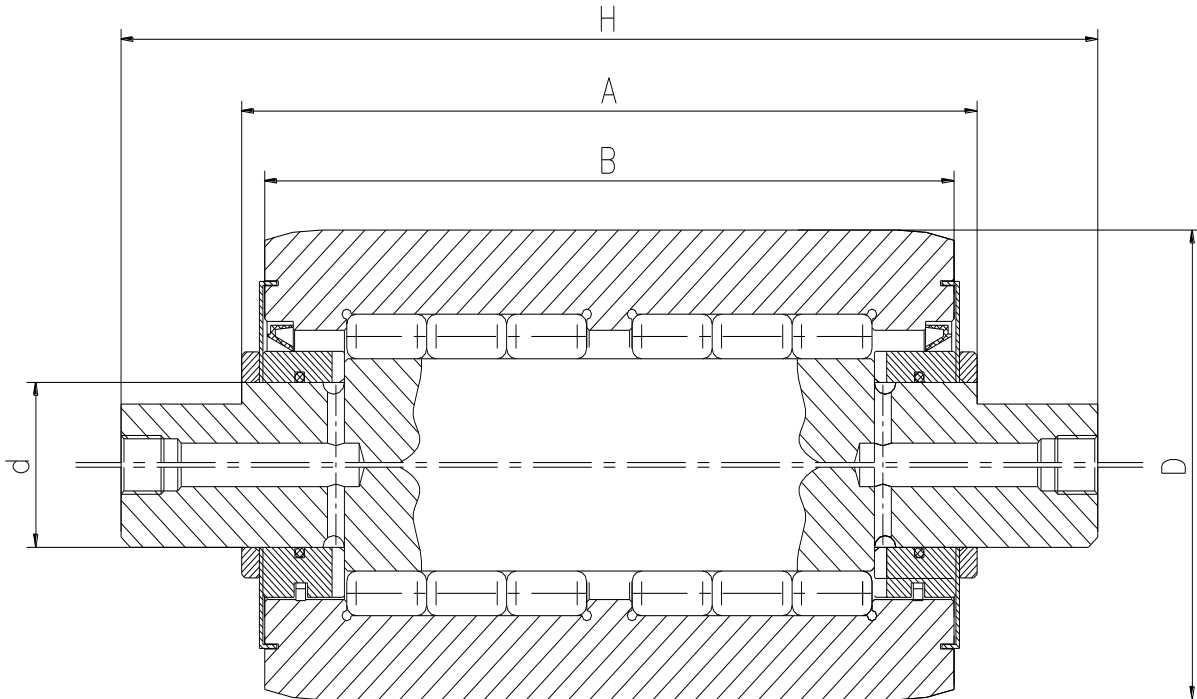


Part Number	Dimension(mm)				Load Rating(KN)		Limiting Speed
	d	D	A	B	C	Co	RPM
9.1907	20	48	36	27	36	53	1935
9.1867	25	52	42	40	38	60	1730
9.2161	25	52	48	46	38.6	60	1730
9.1857	25	65	45	41	68	95	1210
9.2160	25	65	45	41	78	111	1460
2.1077	30	72	42	40	73	105	1280
9.2323	30	72	42	40	70	100	1280
2.1741	25	74	50	47	99	139	1370
2.1031	40	80	33	31	39.5	32	3570
2.1721	35	80	54	50	103	163	1150
2.1197	35	80	48	44	100	161	1100
9.2169	30	80	48	44	85	141	1150
2.0059	40	90	35	32	57	62	850
9.2415	40	90	47	44	104	160	1000
9.2585	30	90	51	49	105	150.5	1200
9.2587	40	90	51	48	100	152	1000
9.2030	40	95	55	51	124	192	710
2.1193	45	100	40	37	85.5	76	900
9.2582	40	100	50	47	132	196	950
2.1198	50	105	60	56	189	314	850
9.2296	40	105	50	46	138	210	880
2.1352	45	110	60	56	200	340	800
2.1537	45	110	60	56	155	232	900
9.2204	35	114	54	52	132.5	196	980
9.2168	50	118	50	47	138	153	600
2.1249	50	120	58	55	161	245	800
2.1711	50	120	65	60	147	230	810

Forklift Mast Rollers Combined Bearings(Kombirollen,Cuscinetti Combinati, Rodamientos Combinados, Rouleaux combines, Material Handling System Bearings)

9.2012	50	120	70	66	231	390	816
2.0699	50	120	50	47	156	270	700
9.2352	55	120	52	49	156	270	700
9.2374	45	120	58	55	161	245	800
9.2423	50	120	68	65	176	264	800
2.1384	55	122	56	53	168	261	770
9.2018	55	122	56	52	152	240	780
2.0837	70	122.5	32	30	128	200	670
2.0434	50	127	50	46	156	248	780
2.0978	65	130	44	42	150	143	660
9.2011	50	130	70	66	255	451	710
2.0054	50	130	67	63	200	207	600
2.0531	50	130	48	47	202	316	780
2.0984	60	135	44	42	155	150	600
2.0695	55	140	60	56	180.5	209	500
2.0971	65	140	60	56	206.5	211	500
9.2100	55	145	76	~	251	393	700
2.1022	65	150	55	51	220	324	620
2.0696	70	150	63	61	223.5	259	570
9.2125	65	152	65	~	320	583	650
2.1220	65	160	78	75	330	531	620
2.1567	50	160	86	84	352	613	690
2.0294	60	160	104	100	476	806	610
2.0697	65	160	71	67	286	452	650
9.2322	60	160	73	68	269	434	650
2.1383	65	180	75	68	365	615	530
9.1966	90	180	102	98	493	1107	450
9.2239	65	180	66	63	308	528	530
9.2283	90	180	102	98	495	996	480
9.2008	90	200	92	88	525	890	460
2.0575	120	200	57	55	311	632	390
9.2268	80	200	92	88	482	870	375
2.0646	85	205	112	110	595	1000	1300
2.0677	100	210	101	100	560	978	420
9.2158	75	210	148	146	765	1433	490
9.2216	80	220	127	125	638	1143	850
9.2270	90	220	120	117	655	1182	460
2.1029	110	234	104	100	480	590	350
9.2311	120	250	94	90	611	1112	370
9.2312	120	250	124	121	878	1687	370
2.1558	120	260	132	129	871	1677	770
9.2190	120	260	184	180	1161	2537	375
9.1967	120	280	124	121	892	1665	350

Pivot Counter Rollers:

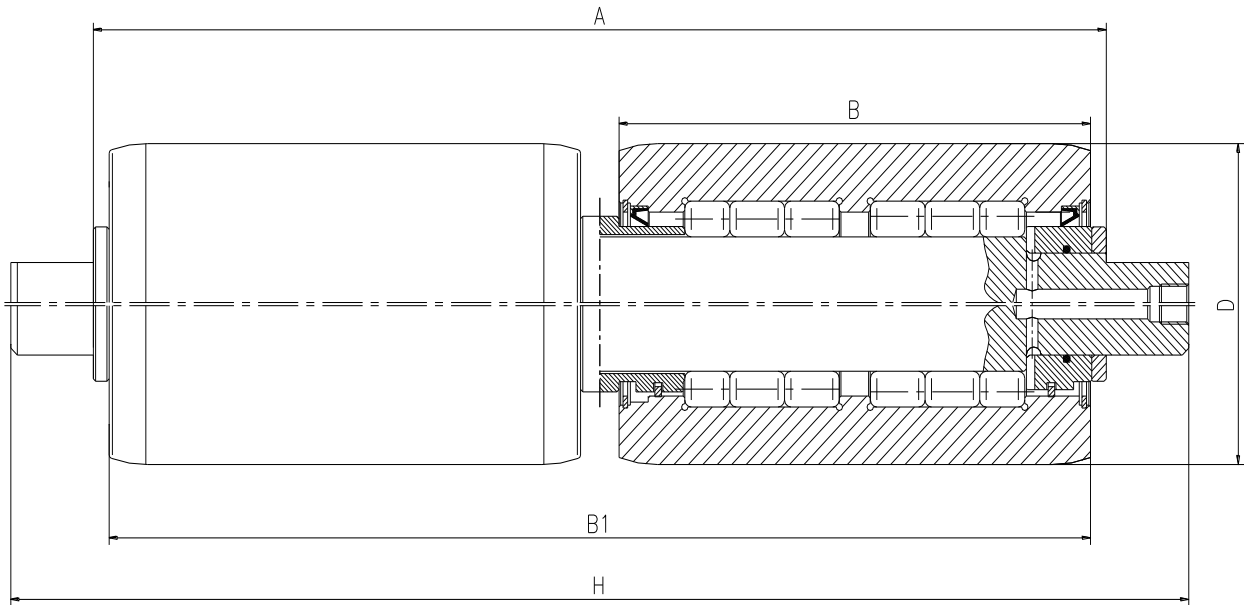


Part Number	Dimension(mm)					Load Rating(KN)		Limiting Speed
	d	D	H	A	B	C	Co	RPM
2.1719	12	25.5	61.5	32	30	8.3	12.2	27000
2.1731	12	25.5	61.5	32	30	8.3	12.2	27000
2.1089	15	33	110	82	80	80	62	2850
2.1726	15	33	95	52	50	46.2	71.1	2900
9.2309	18	33	90	58	57	26	30.5	2500
2.1112	18	37	102	59	57	33.5	52	22000
2.1088	16	38	110	82	80	92	68	2600
2.1770	16	38	95	52	50	32	31	2740
9.2444	18	40	109	63	60	40	57	21000
2.1802/M	20	45	102	70	68	66.1	114.3	2330
2.1640	20	47	168	112	108	123	260	610
2.1869	20	47	145	116.6	115	108.8	135	8300
9.1880	20	47	145	117	115	102	124	20000
2.1897	20	47	172	116	115	102	125	1860
2.2332	20	47	110	72	70	75	113.5	2000
9.2301	25	48	133	85	83	68	94	2000
9.2295	25	50	90	60	58	82	140	1900
2.1484	20	52	225	160	159	151	248	7000
9.2422	28	52	110	72	69	48	68	16000
2.1701	30	56	105	67	65	44.2	77	13000
9.2298	30	56	133	85	83	68	133	700
2.1090	24	58	110	82	80	142.2	100.6	1700
9.2244	34	58	110	82	80	117	181.7	1760
9.2292	24	58	110	82	82	116	183	1700
2.1797	20	60	148	102	100	88.2	174	14000
9.2428	25	60	170	132	130	58	74	800

Forklift Mast Rollers Combined Bearings(Kombirollen,Cuscinetti Combinati, Rodamientos Combinados, Rouleaux combines, Material Handling System Bearings)

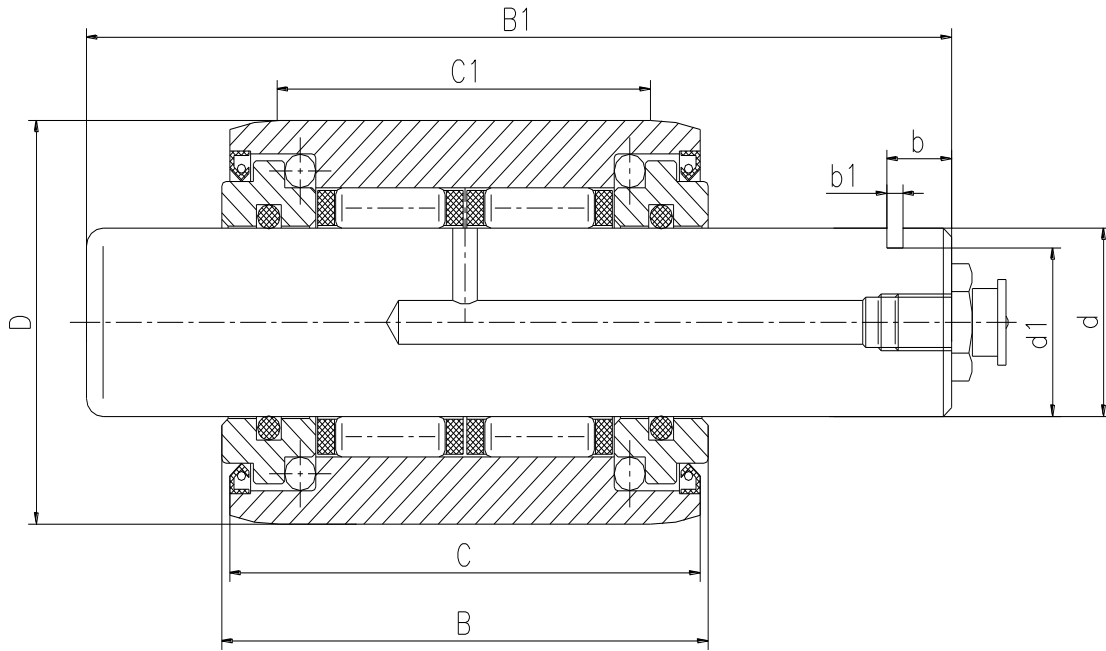
9.2479	30	60	99.5	58.5	56.5	52	77	15000
9.2495	30	60	201	161	160	50	71	13000
9.2532	30	60	120	85	84	69	100	4500
9.2106	35	65	200	136.1	136.1	161.7	335.5	1600
2.1551	28	66	110	82	80	128	209	500
9.2208	29.2	68	140	106	100	176	305	1530
9.2212	29.2	68	197	106	100	176	305	1530
9.2237	40	71	165	125	125	144	236	11000
9.2277	28	76	140	106	100	198.5	356.5	1360
2.1087	30	78	190	140	136	149	148	5000
2.1874	35	80	201	~	160.3	178.7	297	1300
9.2403	35	80	210	170	170	231	400	1300
9.2404	35	80	130	90	90	185	300	1300
9.2434	40	80	210	150	150	165	220	4300
9.2438	35	80	201	160	160	174	288	1300
2.1069	35	82	180	100	96	486	692	1300
9.2445	30	88	158	118	106	226	366	1290
9.2460	30	88	182	142	130	298	526	1290
2.1847	45	90	141	~	100	146.8	182.5	920
9.2303	45	92	198	158	156	236.7	379.7	3450
9.1972	42	93	183	111	109	164.5	190.5	1300
9.1870	40	95	288	200	177	295	359	1090
9.2655	45	95	257	217	215	216	302	4000
9.2656	45	95	390	350	348	216	303	4000
2.1879	40	100	278	200	196	35.5	62	9000
9.2159	45	100	246	~	200	196	282	5500
9.2657	50	100	222	182	180	270	382	4000
9.2658	50	100	337	297	295	270	382	4000
9.2103	35	110	129	66	63	177	286	930
9.2299	70	120	377	317	315	282	310	3500
9.2134	60	124	196	156	146	520	1067	770
9.2207	60	127	440	~	190	469	1195	700
9.2120	70	130	320	220	210	458	1254	730
9.2622	45	130	236	186	170	539	943	840
9.2348	50	155	260	200	180	700	1300	770
9.2595	75	200	300	215	200	1000	1860	450
9.2541	90	250	380	270	250	1400	2900	450

Double Counter Rollers:



Part Number	Dimension(mm)						Load Rating(KN)		Limiting Speed
	d	D	H	A	B1	B	C	Co	RPM
9.2633	12	38	132	112	104	47	68	108	2700
9.2431	24	58	206	176	168	74	232	374	1700
9.2597	28	68	230	200	190	85	275	520	1200
2.0311	35	82	225	176	162	63	230	298	1600
9.2574	35	86	250	210	190	85	400	660	1000
9.2155	35	87	225	176	162	63	230	298	1600
9.2217	35	88	232	183	169	69	361	545	1000
9.2468	35	88	260	173	159	64	270	400	1200
9.2269	35	96	266	216	200	90	380	627	1100
9.2315	35	96	266	176	160	70	378	594	1000
9.2466	35	96	306	256	240	110	547	981	1100
9.2104	50	100	225	176	162	63	336	466	1600
9.2220	36	110	294	244	234	105	606	1014	710
9.2247	36	110	324	276	252	115	650	1098	1000
9.2291	35	110	225	176	162	63	286	429	1200
9.2133	55	124	266	216	204	90	655	1067	780
9.2621	55	130	330	280	260	120	850	1460	700

Forklift Mast Rollers Combined Bearings(Kombirollen,Cuscinetti Combinati, Rodamientos Combinados, Rouleaux combines, Material Handling System Bearings)



Part Number	Dimension(mm)										Load Rating(KN)				Limiting Speed
	d	D	C	B	B1	C1	b	b1	d1	R	C	C0	CW	COW	RPM
MRSC.0012	12	25.5	30	32	61.5	25	4.5	2	9	140	9	15	8	13	4500
MRSC.0014	14	27	41	43	75	25	5	2.5	11	140	13.5	20	11.5	17	4500
MRSC.0015	15	31	44	46	77	38	6	2.5	12	145	18	23	16	21	4500
MRSC.0016	15	31	46	48	82	38	6	2.5	12	145	19	23	16	21	4500
MRSC.0017	18	33	57	58	90	39	5	2.5	15	145	20	37	17	30	4300
MRSC.0018	18	36	62	64	95	34	6	2.5	15	145	25	46	22	44	4000
MRSC.0019	20	41	48	50	81	40	6	2.5	17	50	34	52	30	46	2000
MRSC.0020	20	41	68	70	110	42	7	2.5	17	145	40	68	35	62	1200
MRSC.0023	25	48	58	60	95	48	6	2.5	22	145	40	75	35	64	1000
MRSC.0024	25	48	83	85	133	59	7	2.5	22	180	66	112	52	90	1000
MRSC.0025	25	52	78	80	138	60	7	3	22	180	79	124	56	102	1000
MRSC.0026	28	52	69	72	110	55	7	3	25	180	45	110	39	100	1000
MRSC.0028	30	56	83	85	133	59	7	3	27	180	67	132	53	102	750
MRSC.0029	30	60	57	58.5	99.5	46	10	5	27	180	62	109	47	99	1000
MRSC.0030	32	63	83	85	133	51	7	3	27	180	75	118	63	105	600
MRSC.0032	32.22	66	103	105	178	93	7	3	29	180	104	130	74	108	400
MRSC.0050	50	83	128	130	190	94	9	4	45.5	180	120	300	88	212	400