

Cam Followers(Cam Follower Bearings, Track Roller, Cam Yoke Roller, Support Roller, Roller Followers)



OVERVIEW: Cam Followers are characterized thick-walled outer rings that run directly on a track. The thick outer rings permit high load-carrying capability while minimized both distribution and bending stresses. Sealed designs with internal thrust washers help extend service life under conditions of infrequent lubrication.

APPLICATIONS: Ram support rollers, material handling indexing equipment.

TYPES: Stud type- KR/KRE/KRV/NUKR/NUKRE/PWKR/PWKRE, Yoke type- STO/RSTO/NA22/RNA22/NATR/NATV/NUTR/PWTR/N

Dimension Tolerance:

Hexagonal Socket-Metric Series

Stud Type Track Roller Outside Diameter(mm)		Dimensions(mm)	
>	≤	SW	t
	16	3	2.5
19	26	4	2.5
30	35	6	4
40	52	8	5
62	72	12	7
80	90	17	10

Internal Radial Clearance:

d (mm) I.D.		C2 um		CN um	
>	≤	Min.	Max.	Min.	Max.
1	24	0	25	20	45
24	30	0	25	20	45
30	40	5	30	25	50
40	50	5	35	30	60
50	65	10	40	40	70
65	80	10	45	40	75
80	100	15	50	50	85
100	120	15	55	50	90
120	140	15	60	60	105

Eccentric Bushing Dimensions

Stud Type Track Roller Outside Diameter(mm)		Dimension (mm)			
>	≤	de	De	Be	e
	16	6	9	7	0.5
19	19	8	11	9	0.5
22	26	10	13	10	0.5
30	32	12	15	11	0.5
35	35	16	20	14	1
40	40	18	22	16	1
47	52	20	24	18	1
62	72	24	28	22	1
80	90	30	35	29	1.5

Cam Followers(Cam Follower Bearings, Track Roller, Cam Yoke Roller, Support Roller, Roller Followers)

Tolerance for Stud Diameter and Stud Length-Metric Series

Stud Diameter(mm)		Deviation(um)		Stud Length (mm)	Deviation (mm)	
>	≤	Min.	Max.		Min.	Max.
3	6	-12	0	All Length	-1	0
6	10	-15	0			
10	18	-18	0			
18	30	-21	0			
30	50	-25	0			
50	80	-30	0			
80	100	-35	0			

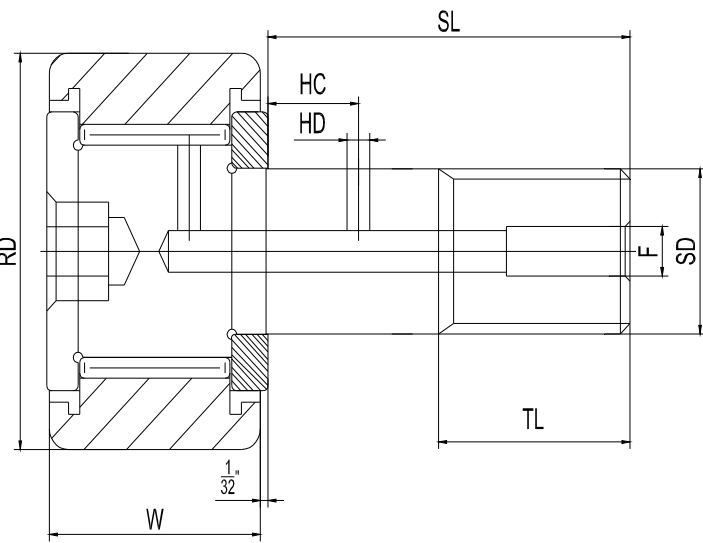
Inner Ring and Width Tolerance--Metric Series(Caged Roller and NUTR Series)

Inside Diameter(mm)		Deviation (um)		Width (um)	
>	≤	Min.	Max.	Min.	Max.
2.5	18	-8	0	-120	0
18	30	-10	0	-120	0
30	50	-12	0	-120	0
50	80	-15	0	-120	0
80	120	-20	0	-120	0

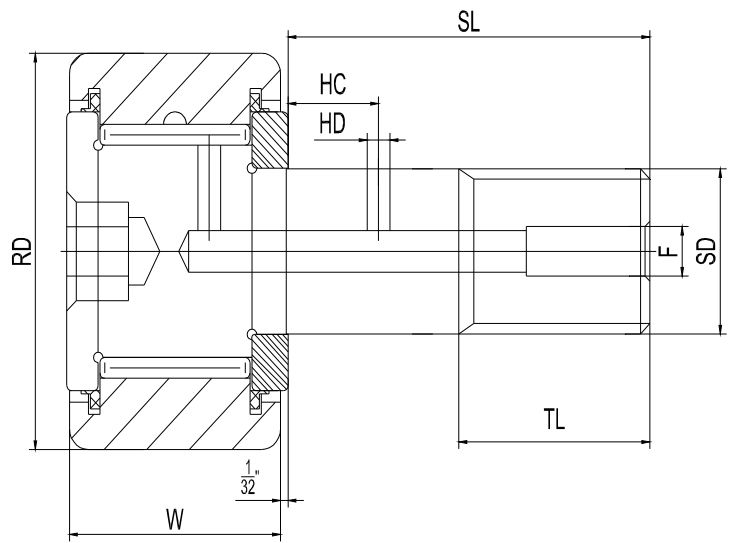
Outer Ring and Width Tolerance--Metric Series(Caged Roller and NUKR, NUTR Series)

Outside Diameter(mm)		Deviation (um)				Width (um)	
		Cylindrical		Crowned			
>	≤	Min.	Max.	Min.	Max.	Min.	Max.
10	18	-8	0	-50	0	-120	0
18	30	-9	0	-50	0	-120	0
30	50	-11	0	-50	0	-120	0
50	80	-13	0	-50	0	-120	0
80	120	-15	0	-50	0	-120	0
120	155	-18	0	-50	0	-120	0
150	180	-25	0	-50	0	-150	0
180	240	-30	0	-50	0	-200	0

Cam Followers(Cam Follower Bearings, Track Roller, Cam Yoke Roller, Support Roller, Roller Followers)



CF..B

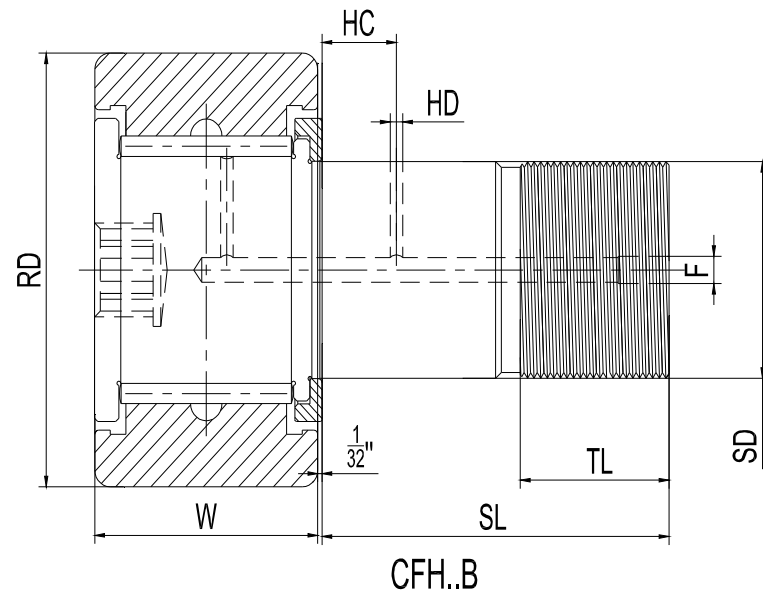
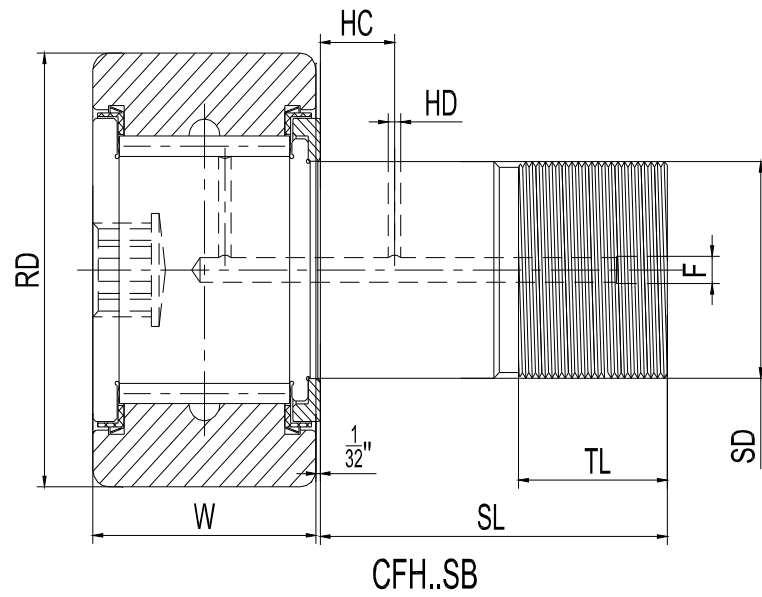


CF..SB

Part Number		Dimension(Inch)									Load Rating(LBS)	
With Seals	Without Seals	RD	W	SD	SL	TL	THR	HC	HD	F	Static	Dynamic
CF1/2NSB	CF1/2NB	0.5	0.344	0.19	1/2	1/4	10-32	--	--	--	720	620
CF1/2SB	CF1/2B	0.5	0.375	0.19	5/8	1/4	10-32	--	--	--	790	680
CF9/16SB	CF9/16B	0.5625	0.375	0.19	5/8	1/4	10-32	--	--	--	790	680
CF5/8NSB	CF5/8NB	0.625	0.406	0.25	5/8	5/16	1/4-28	--	--	--	1085	930
CF5/8SB	CF5/8B	0.625	0.4375	0.25	3/4	5/16	1/4-28	--	--	--	1215	955
CF11/16SB	CF11/16B	0.6875	0.4375	0.25	3/4	5/16	1/4-28	--	--	--	1215	955
CF3/4SB	CF3/4B	0.75	0.5	0.375	7/8	3/8	3/8-24	1/4	3/32	3/16	2065	1660
CF7/8SB	CF7/8B	0.875	0.5	0.375	7/8	3/8	3/8-24	1/4	3/32	3/16	2065	1660
CF1SB	CF1B	1	0.625	0.4375	1	1/2	7/16-20	1/4	3/32	3/16	3060	2225
CF1-1/8SB	CF1-1/8B	1.125	0.625	0.4375	1	1/2	7/16-20	1/4	3/32	3/16	3060	2225
CF1-1/4SB	CF1-1/4B	1.25	0.75	0.5	1 1/4	5/8	1/2-20	5/16	3/32	3/16	4250	3930
CF1-3/8SB	CF1-3/8B	1.375	0.75	0.5	1 1/4	5/8	1/2-20	5/16	3/32	3/16	4250	3930
CF1-1/2SB	CF1-1/2B	1.5	0.875	0.625	1 1/2	3/4	5/8-18	3/8	3/32	3/16	5640	4840
CF1-5/8SB	CF1-5/8B	1.625	0.875	0.625	1 1/2	3/4	5/8-18	3/8	3/32	3/16	5640	4840
CF1-3/4SB	CF1-3/4B	1.75	1	0.75	1 3/4	7/8	3/4-16	7/16	3/32	3/16	7920	6385
CF1-7/8SB	CF1-7/8B	1.875	1	0.75	1 3/4	7/8	3/4-16	7/16	3/32	3/16	7920	6385
CF2SB	CF2B	2	1.25	0.875	2	1	7/8-14	1/2	1/8	3/16	10570	8090
CF2-1/4SB	CF2-1/4B	2.25	1.25	0.875	2	1	7/8-14	1/2	1/8	3/16	10570	8090
CF2-1/2SB	CF2-1/2B	2.5	1.5	1	2 1/4	1 1/8	1-14	9/16	1/8	3/16	16450	11720
CF2-3/4SB	CF2-3/4B	2.75	1.5	1	2 1/4	1 1/8	1-14	9/16	1/8	3/16	16450	11720
CF3SB	CF3B	3	1.75	1.25	2 1/2	1 1/4	1 1/4-12	5/8	1/8	1/4	24910	15720
CF3-1/4SB	CF3-1/4B	3.25	1.75	1.25	2 1/2	1 1/4	1 1/4-12	5/8	1/8	1/4	24910	15720
CF3-1/2SB	CF3-1/2B	3.5	2	1.375	2 3/4	1 3/8	1 3/8-12	11/16	1/8	1/4	31625	22800
CF4SB	CF4B	4	2.25	1.5	3 1/2	1 1/2	1 1/2-12	3/4	1/8	1/4	44770	29985

Remark: Other types like CR SB, CR..XB, CF..PP, S..LW, CR..VBUU, CR..UUHM and CRV..XLLH are also workable.

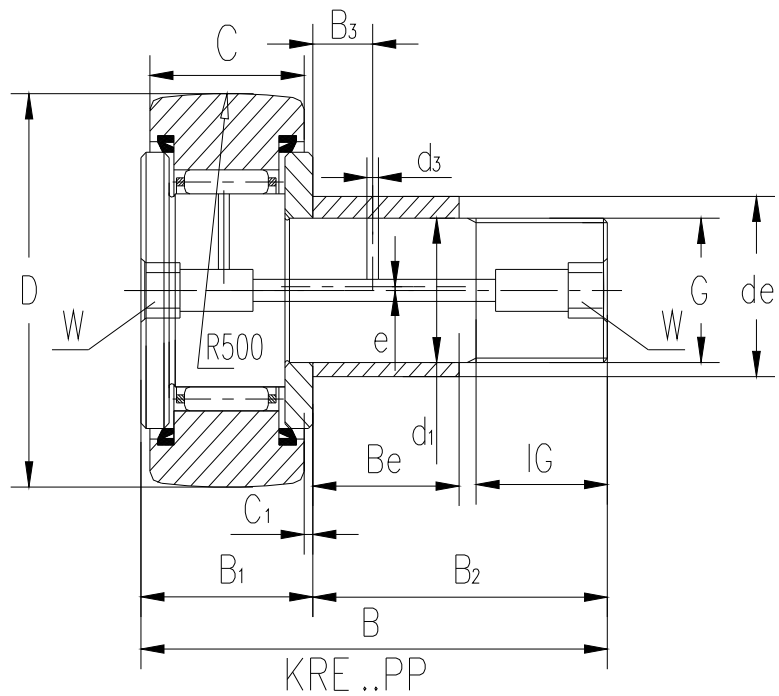
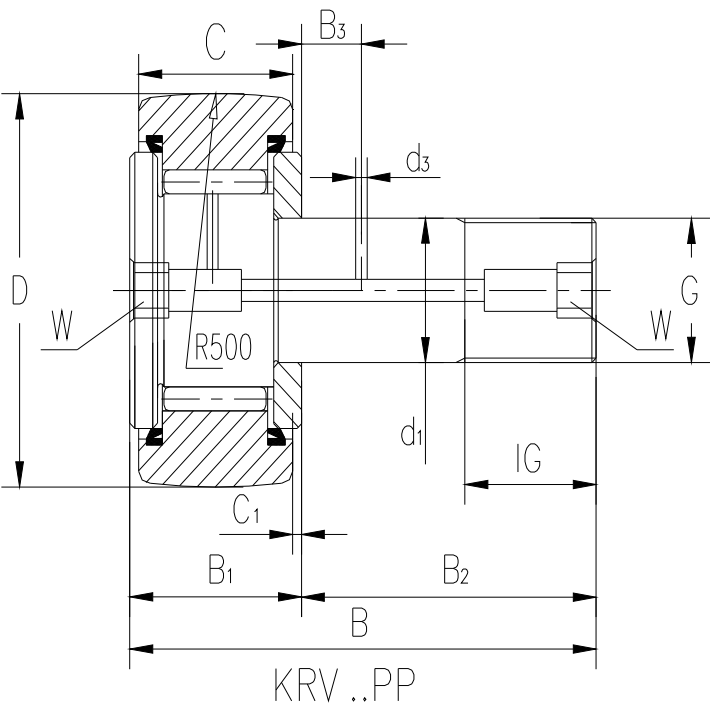
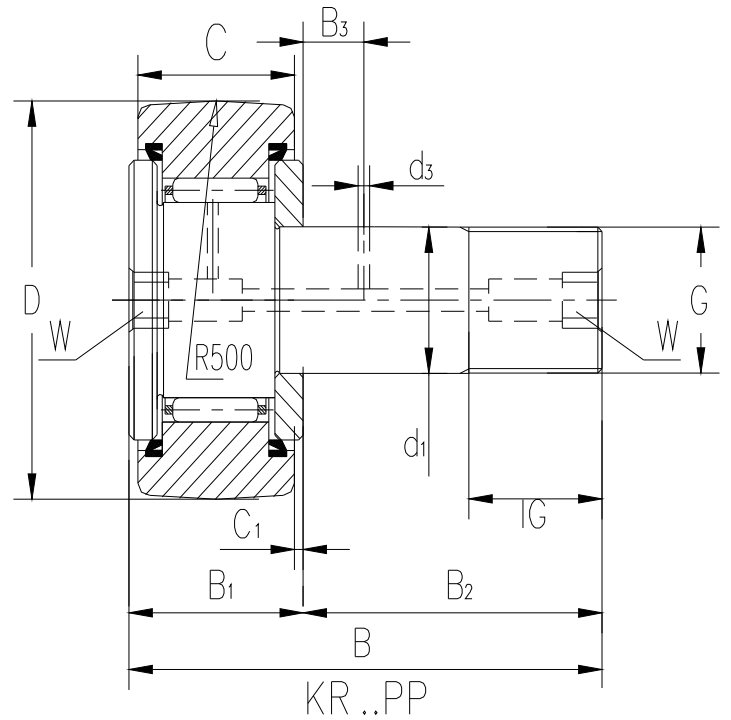
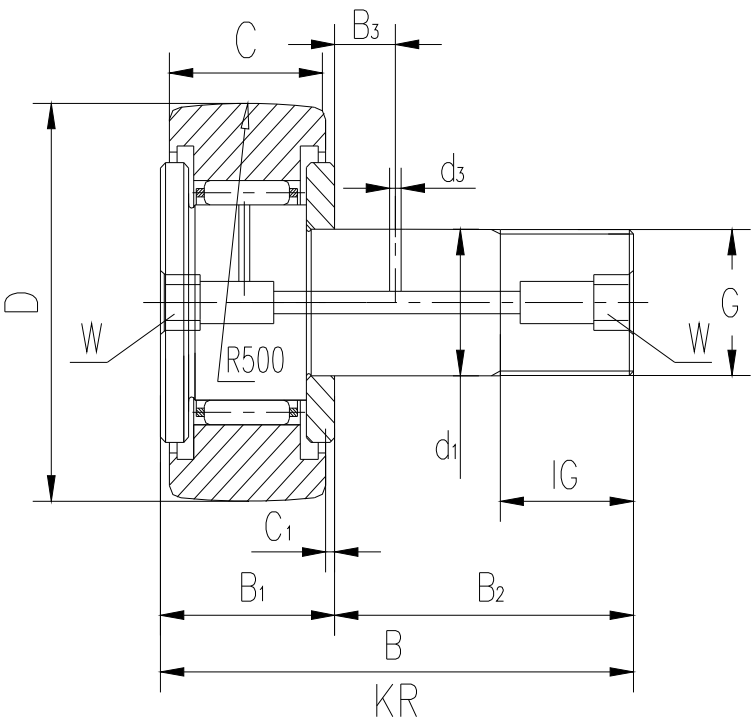
Cam Followers(Cam Follower Bearings, Track Roller, Cam Yoke Roller, Support Roller, Roller Followers)



Part Number		Dimension(Inch)									Load Rating(LBS)	
With Seals	Without Seals	RD	W	SD	SL	TL	THR	HC	HD	F	Static	Dynamic
CFH1/2SB	CFH1/2B	0.5	0.375	0.25	5/8	1/4	1/4-28	--	--	--	1580	680
CFH9/16SB	CFH9/16B	0.5625	0.375	0.25	5/8	1/4	1/4-28	--	--	--	1580	680
CFH5/8SB	CFH5/8B	0.625	0.4375	0.3125	3/4	5/16	5/16-24	--	--	--	2480	955
CFH11/16S	CFH11/16B	0.6875	0.4375	0.3125	3/4	5/16	5/16-24	--	--	--	2480	955
CFH3/4SB	CFH3/4B	0.75	0.5	0.4375	7/8	3/8	7/16-20	1/4	3/32	3/16	4130	1660
CFH7/8SB	CFH7/8B	0.875	0.5	0.4375	7/8	3/8	7/16-20	1/4	3/32	3/16	4130	1660
CFH1SB	CFH1B	1	0.625	0.625	1	1/2	5/8-18	1/4	3/32	3/16	6120	2225
CFH1-1/8SB	CFH1-1/8B	1.125	0.625	0.625	1	1/2	5/8-18	1/4	3/32	3/16	6120	2225
CFH1-1/4SB	CFH1-1/4B	1.25	0.75	0.75	1 1/4	5/8	3/4-16	5/16	3/32	3/16	8500	3930
CFH1-3/8SB	CFH1-3/8B	1.375	0.75	0.75	1 1/4	5/8	3/4-16	5/16	3/32	3/16	8500	3930
CFH1-1/2SB	CFH1-1/2B	1.5	0.875	0.875	1 1/2	3/4	7/8-14	3/8	3/32	3/16	11280	4840
CFH1-5/8SB	CFH1-5/8B	1.625	0.875	0.875	1 1/2	3/4	7/8-14	3/8	3/32	3/16	11280	4840
CFH1-3/4SB	CFH1-3/4B	1.75	1	1	1 3/4	7/8	1-14	7/16	3/32	3/16	15840	6385
CFH1-7/8SB	CFH1-7/8B	1.875	1	1	1 3/4	7/8	1-14	7/16	3/32	3/16	15840	6385
CFH2SB	CFH2B	2	1.25	1.125	2	1	1 1/8-12	1/2	1/8	3/16	21140	8090
CFH2-1/4SB	CFH2-1/4B	2.25	1.25	1.125	2	1	1 1/8-12	1/2	1/8	3/16	21140	8090
CFH2-1/2SB	CFH2-1/2B	2.5	1.5	1.25	2 1/4	1 1/8	1 1/4-12	9/16	1/8	3/16	32900	11720
CFH2-3/4SB	CFH2-3/4B	2.75	1.5	1.25	2 1/4	1 1/8	1 1/4-12	9/16	1/8	3/16	32900	11720
CFH3SB	CFH3B	3	1.75	1.5	2 1/2	1 1/4	1 1/2-12	5/8	1/8	1/4	49820	15720
CFH3-1/4SB	CFH3-1/4B	3.25	1.75	1.5	2 1/2	1 1/4	1 1/2-12	5/8	1/8	1/4	49820	15720
CFH3-1/2SB	CFH3-1/2B	3.5	2	1.75	2 3/4	1 3/8	1 3/4-12	11/16	1/8	1/4	63250	22800
CFH4SB	CFH4B	4	2.25	2	3 1/2	1 1/2	2-12	3/4	1/8	1/4	89540	29985

Remark: Other types like CRHSB, H..LW, HR..XB and CRH..VBUU are also workable.

Cam Followers(Cam Follower Bearings, Track Roller, Cam Yoke Roller, Support Roller, Roller Followers)

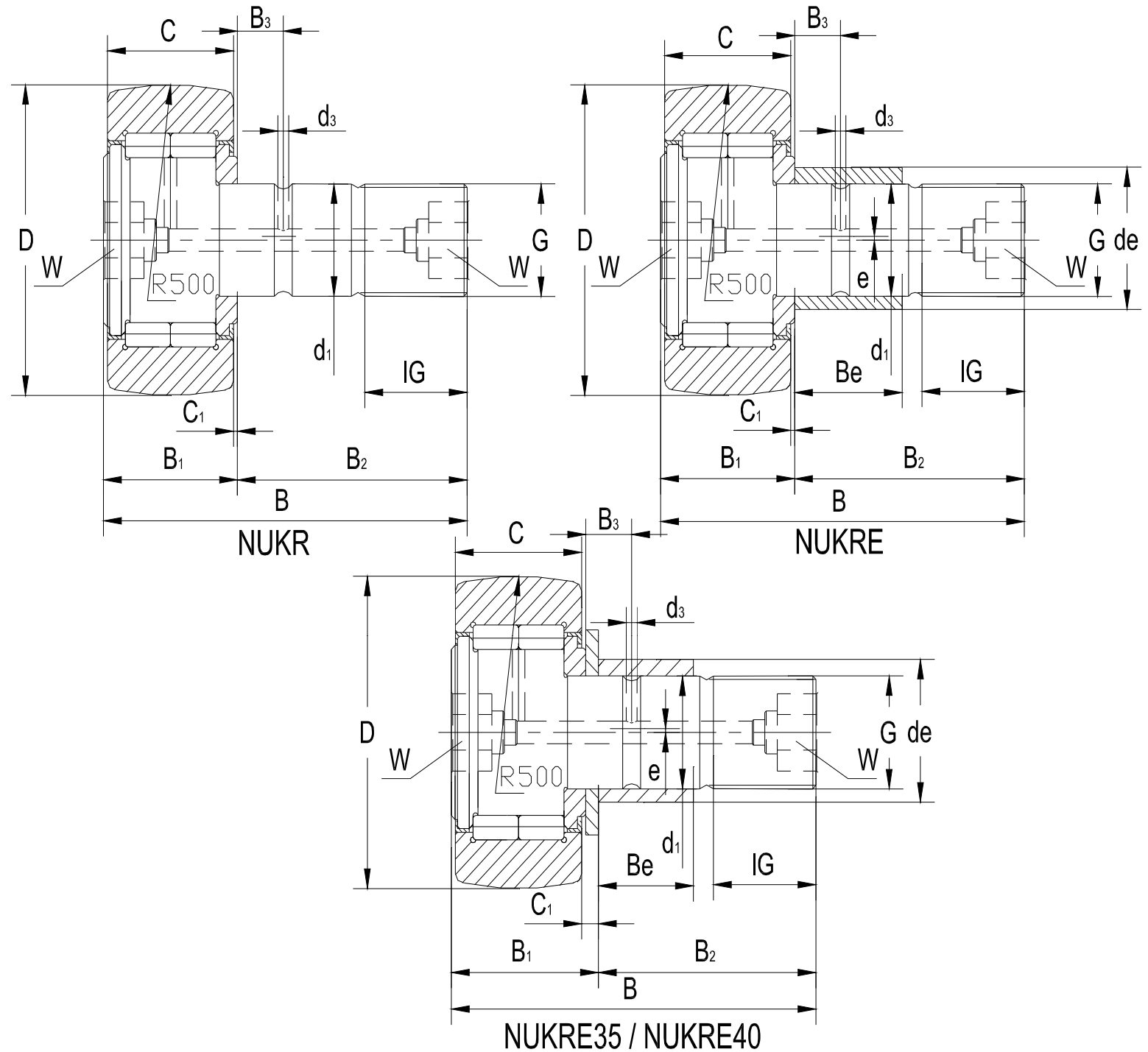


Cam Followers(Cam Follower Bearings, Track Roller, Cam Yoke Roller, Support Roller, Roller Followers)

Part Number		Dimension (mm)														Load Rating		Limiting Speed	
	With Eccentric Collar	D	d1	B	B1 ma	B2	B3	C	C1	d3	G	IG	W	de	Be	e	Dynamic	Static	RPM
	N																		
KR13	--	13	5	23	10	13	--	9	0.5	--	M 5x0.8	7.5	3	--	--	--	2520	2140	17000
KR13PP	--	13	5	23	10	13	--	9	0.5	--	M 5x0.8	7.5	3	--	--	--	2520	2140	17000
KR16	--	16	6	28	12	16	--	11	0.6	--	M 6x1	8	4	--	--	--	3150	3350	14000
KR16PP	KRE16PP	16	6	28	12	16	--	11	0.6	--	M 6x1	8	4	9	7	0.5	3150	3350	14000
KRV16PP	--	16	6	28	12	16	--	11	0.6	--	M 6x1	8	4	--	--	--	4900	6600	3800
KR19	--	19	8	32	12	20	--	11	0.6	--	M	10	4	--	--	--	3500	4000	11000
KR19PP	KRE19PP	19	8	32	12	20	--	11	0.6	--	M	10	4	11	9	0.5	3500	4000	11000
KRV19PP	--	19	8	32	12	20	--	11	0.6	--	M	10	4	--	--	--	5400	8000	3100
KR22	--	22	10	36	13	23	--	12	0.6	--	M 10X1	12	5	--	--	--	4550	5300	8000
KR22PP	KRE22PP	22	10	36	13	23	--	12	0.6	--	M 10X1	12	5	13	10	0.5	4550	5300	8000
KRV22PP	--	22	10	36	13	23	--	12	0.6	--	M 10X1	12	5	--	--	--	6200	9200	2600
KR26	--	26	10	36	13	23	--	12	0.6	--	M 10X1	12	5	--	--	--	5100	6400	8000
KR26PP	KRE26PP	26	10	36	13	23	--	12	0.6	--	M 10X1	12	5	13	10	0.5	5100	6400	8000
KRV26PP	--	26	10	36	13	23	--	12	0.6	--	M 10X1	12	5	--	--	--	7300	11500	2600
KR30	--	30	12	40	15	25	6	14	0.6	3	M	13	6	--	--	--	6800	8600	5500
KR30 PP	KRE30PP	30	12	40	15	25	6	14	0.6	3	M	13	6	15	11	0.5	6800	8600	5500
KRV30PP	--	30	12	40	15	25	6	14	0.6	3	M	13	6	--	--	--	9500	14900	2100
KR32	--	32	12	40	15	25	6	14	0.6	3	M 12X1.5	13	6	--	--	--	7100	9200	5500
KR32PP	KRE32PP	32	12	40	15	25	6	14	0.6	3	M	13	6	15	11	0.5	7100	9200	5500
KRV32PP	--	32	12	40	15	25	6	14	0.6	3	M	13	6	--	--	--	10000	16100	2100
KR35	--	35	16	52	20	33	8	18	0.8	3	M	17	8	--	--	--	9700	14300	3600
KR35PP	KRE35PP	35	16	52	20	33	8	18	0.8	3	M	17	8	20	14	1	9700	14300	3600
KRV35PP	--	35	16	52	20	33	8	18	0.8	3	M	17	8	--	--	--	12600	23100	1600
KR40	--	40	18	58	22	37	8	20	0.8	3	M	19	8	--	--	--	10900	15800	2900
KR40PP	KRE40PP	40	18	58	22	37	8	20	0.8	3	M	19	8	22	16	1	10900	15800	2900
KRV40PP	--	40	18	58	22	37	8	20	0.8	3	M 18X1.5	19	8	--	--	--	14700	26500	1400
KR47PP	KRE47PP	47	20	66	26	41	9	24	0.8	4	M	21	10	24	18	1	15400	26000	2400
KRV47PP	--	47	20	66	26	41	9	24	0.8	4	M	21	10	--	--	--	20300	42000	1300
KR52PP	KRE52PP	52	20	66	26	41	9	24	0.8	4	M	21	10	24	18	1	16600	29000	2400
KRV52PP	--	52	20	66	26	41	9	24	0.8	4	M	21	10	--	--	--	22300	48000	1300
KR62PP	KRE62PP	62	24	80	31	50	11	29	0.8	4	M	25	14	28	22	1	26000	48000	1900
KRV62PP	--	62	24	80	31	50	11	29	0.8	4	M	25	14	--	--	--	33500	75000	1100
KR72PP	KRE72PP	72	24	80	31	50	11	29	0.8	4	M	25	14	28	22	1	28000	53000	1900
KRV72PP	--	72	24	80	31	50	11	29	0.8	4	M	25	14	--	--	--	36500	85000	1100
KR80PP	KRE80PP	80	30	100	37	63	15	35	1	4	M	32	14	35	29	1.5	38500	77000	1300
KRV80PP	--	80	30	100	37	63	15	35	1	4	M	32	14	--	--	--	48500	117000	850
KR90PP	KRE90PP	90	30	100	37	63	15	35	1	4	M	32	14	35	29	1.5	40500	83000	1300
KRV90PP	--	90	30	100	37	63	15	35	1	4	M	32	14	--	--	--	52000	129000	850

Remark: Other types like KR..PPA, CF..UUR, KM..UURM, KR..LL, FCJS..R, KR..2RS, MCFR..S and GC are also workable.

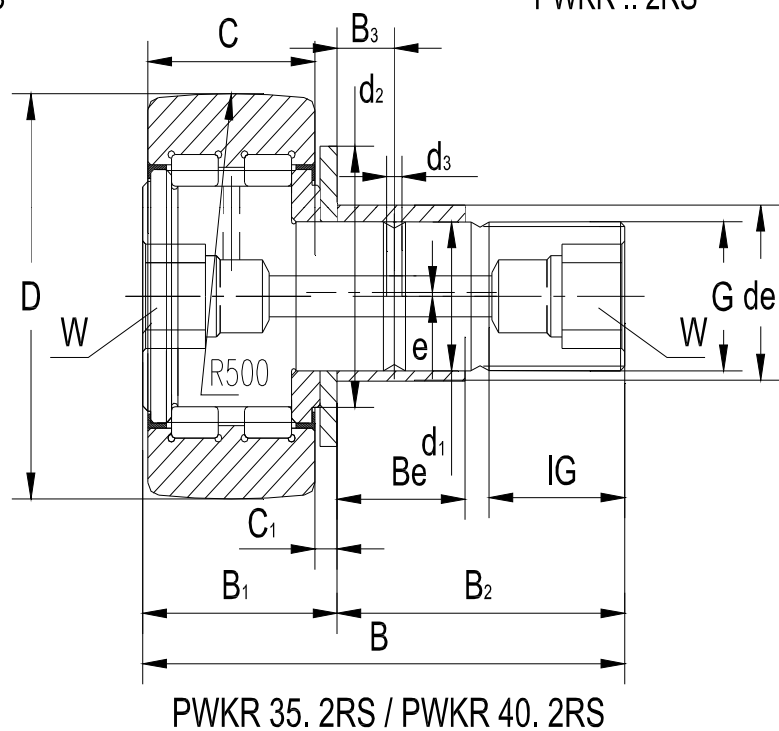
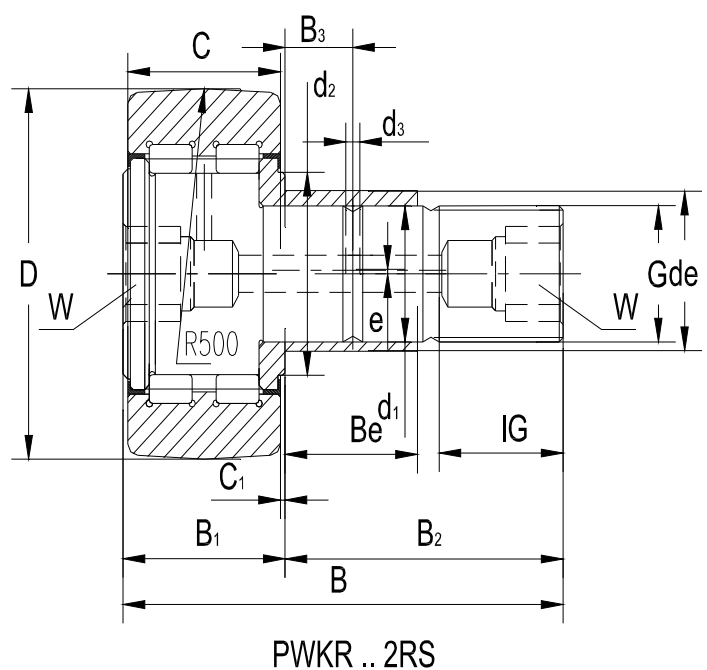
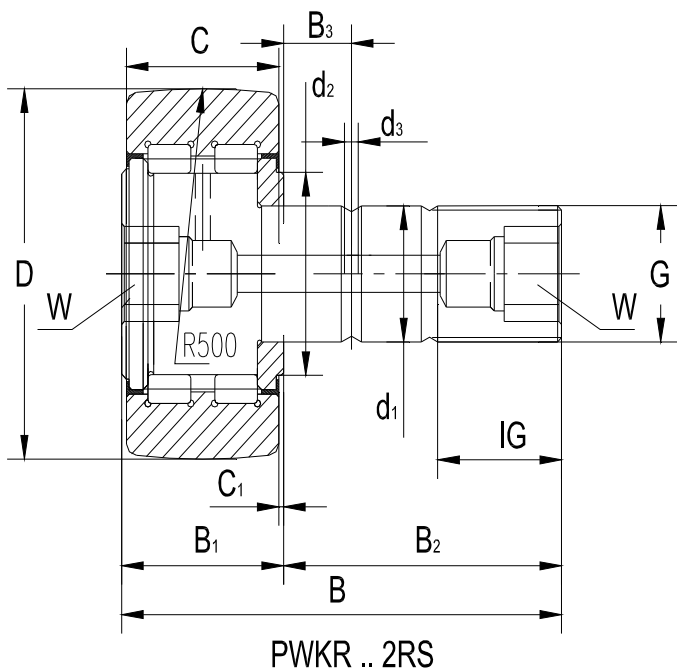
Cam Followers (Cam Follower Bearings, Track Roller, Cam Yoke Roller, Support Roller, Roller Followers)



Part Number	With Eccentric Collar	Dimension (mm)															Load Rating		Limiting Speed RPM
		D	d1	B	B1 ma	B2	B3	C	C1	d3	G	IG	W	de	Be	e	Dynamic	Static	
		N																	
NUKR35	--	35	16	52	20	33	7.8	18	0.8	3	M 16X1.5	17	8	--	--	--	15300	18700	6500
--	NUKRE35	35	16	52	23	30	--	18	3.8	--	M 16X1.5	17	8	20	12	1	15300	18700	6500
NUKR40	--	40	18	58	22	37	8	20	0.8	3	M 18X1.5	19	8	--	--	--	18700	24900	5500
--	NUKRE40	40	18	58	25	34	--	20	3.8	--	M 18X1.5	19	8	22	14	1	18700	24900	5500
NUKR47	NUKRE47	47	20	66	26	41	9	24	0.8	4	M 20X1.5	21	10	24	18	1	28500	37500	4200
NUKR52	NUKRE52	52	20	66	26	41	9	24	0.8	4	M 20X1.5	21	10	24	18	1	29000	40500	4200
NUKR62	NUKRE62	62	24	80	31	50	11	28	1.3	4	M 24X1.5	25	14	28	22	1	40000	55000	2600
NUKR72	NUKRE72	72	24	80	31	50	11	28	1.3	4	M 24X1.5	25	14	28	22	1	45000	65000	2600
NUKR80	NUKRE80	80	30	100	37	63	15	35	1	4	M 30X1.5	32	14	35	29	1.5	69000	104000	1800
NUKR90	NUKRE90	90	30	100	37	63	15	35	1	4	M 30X1.5	32	14	35	29	1.5	78000	123000	1800

Remark: Other types like NUCF..R and MCFD are also workable.

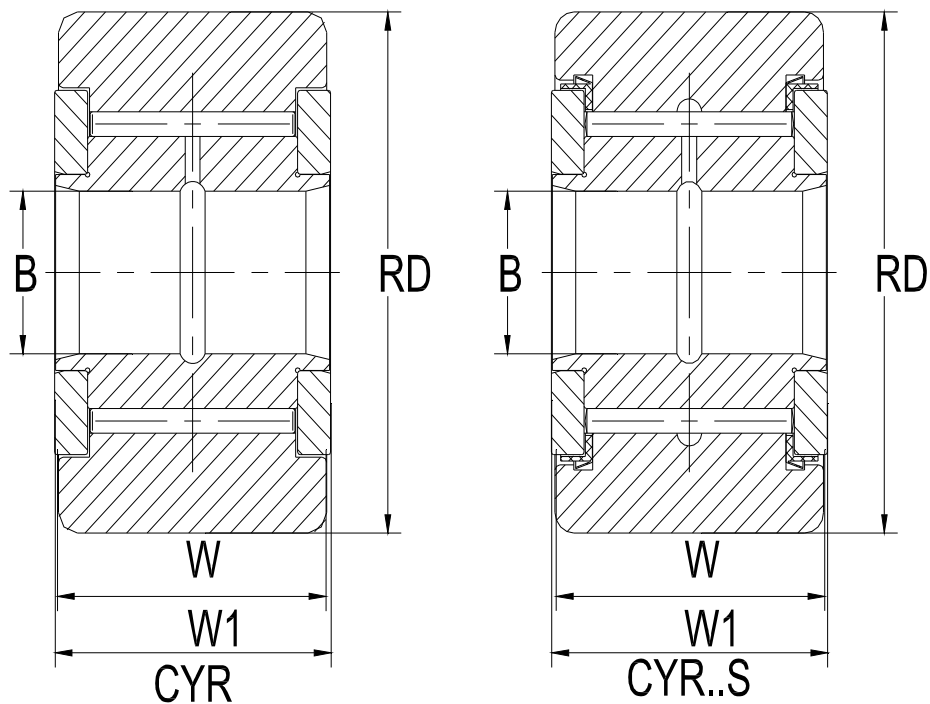
Cam Followers (Cam Follower Bearings, Track Roller, Cam Yoke Roller, Support Roller, Roller Followers)



Part Number	With Eccentric	Dimension (mm)															Load Rating		Limiting Speed
		D	d1	B	B1 ma	B2	B3	C	C1	d3	G	IG	W	de	Be	e	Dynamic	Static	Speed
																	N		RPM
PWKR35-2RS	--	35	16	52	20	33	7.8	18	0.8	3	M	17	8	--	--	--	12600	14600	6000
--	PWKRE35-2RS	35	16	52	23	30	--	18	3.8	--	M	17	8	20	12	1	12600	14600	6000
PWKR40-2RS	--	40	18	58	22	37	8	20	0.8	3	M	19	8	--	--	--	14300	17900	5000
--	PWKRE40-2RS	40	18	58	25	34	--	20	3.8	--	M	19	8	22	14	1	14300	17900	5000
PWKR47-2RS	PWKRE47-2RS	47	20	66	26	41	9	24	0.8	4	M	21	10	24	18	1	24500	30500	3800
PWKR52-2RS	PWKRE52-2RS	52	20	66	26	41	9	24	0.8	4	M	21	10	24	18	1	25000	33000	3800
PWKR62-2RS	PWKRE62-2RS	62	24	80	31	50	11	28	1.3	4	M	25	14	28	22	1	35000	45500	2200
PWKR72-2RS	PWKRE72-2RS	72	24	80	31	50	11	28	1.3	4	M	25	14	28	22	1	38500	54000	2200
PWKR80-2RS	PWKRE80-2RS	80	30	100	37	63	15	35	1	4	M	32	14	35	29	1.5	56000	79000	1800
PWKR90-2RS	PWKRE90-2RS	90	30	100	37	63	15	35	1	4	M	32	14	35	29	1.5	62000	92000	1800

Remark: Other types like RBC are also workable.

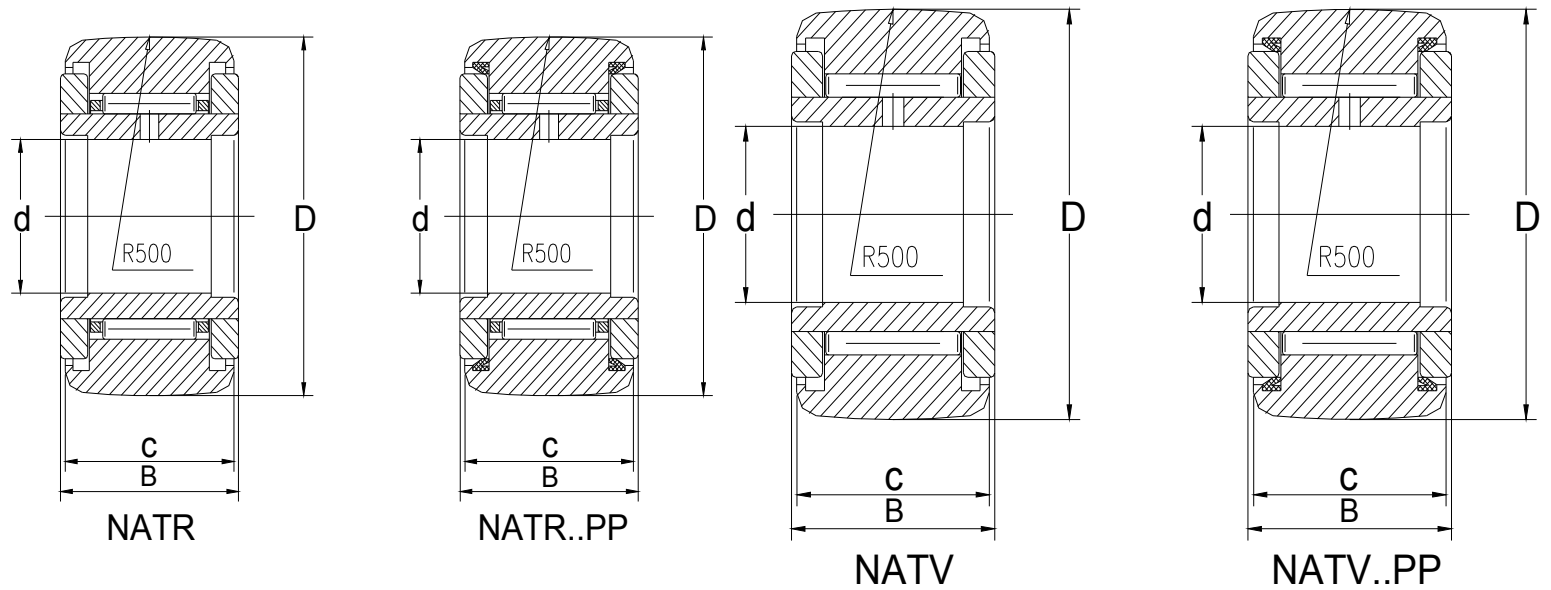
Cam Followers(Cam Follower Bearings, Track Roller, Cam Yoke Roller, Support Roller, Roller Followers)



Part Number		Dimension(Inch)				Load Rating(LBS)	
Without	With Seals	RD	W	B	W1	Static	Dynamic
CYR3/4	CYR3/4S	0.75	0.5	0.25	0.5625	4130	1660
CYR7/8	CYR7/8S	0.875	0.5	0.25	0.5625	4130	1660
CYR1	CYR1S	1	0.625	0.3125	0.6875	6120	2225
CYR1-1/8	CYR1-1/8S	1.125	0.625	0.3125	0.6875	6120	2225
CYR1-1/4	CYR1-1/4S	1.25	0.75	0.375	0.8125	8500	3930
CYR1-3/8	CYR1-3/8S	1.375	0.75	0.375	0.8125	8500	3930
CYR1-1/2	CYR1-1/2S	1.5	0.875	0.4375	0.9375	11280	4840
CYR1-5/8	CYR1-5/8S	1.625	0.875	0.4375	0.9375	11280	4840
CYR1-3/4	CYR1-3/4S	1.75	1	0.5	1.0625	15840	6385
CYR1-7/8	CYR1-7/8S	1.875	1	0.5	1.0625	15840	6385
CYR2S	CYR2S	2	1.25	0.625	1.3125	21140	8090
CYR2-1/4	CYR2-1/4S	2.25	1.25	0.625	1.3125	21140	8090
CYR2-1/2	CYR2-1/2S	2.5	1.5	0.75	1.5625	32900	11720
CYR2-3/4	CYR2-3/4S	2.75	1.5	0.75	1.5625	32900	11720
CYR3	CYR3S	3	1.75	1	1.8125	49820	15720
CYR3-1/4	CYR3-1/4S	3.25	1.75	1	1.8125	49820	15720
CYR3-1/2	CYR3-1/2S	3.5	2	1.125	2.0625	63250	22800
CYR4	CYR4S	4	2.25	1.25	2.3125	89540	29985

Remark: Other types like YCRS, RF..PP, CRY..VUU, YR..X, Y..L and NACV..XLL are also workable.

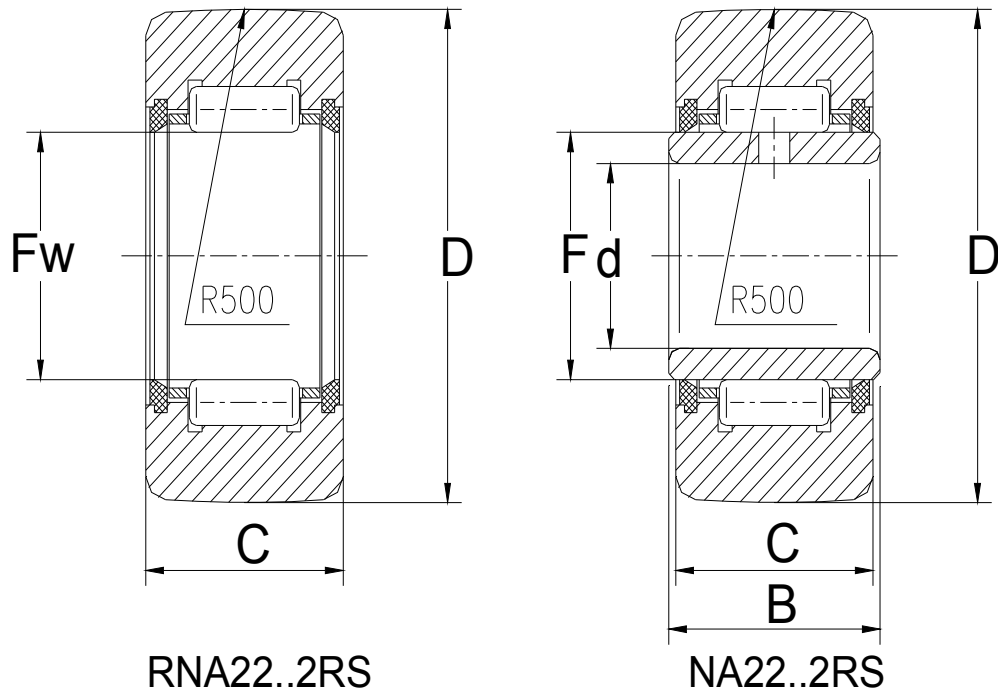
Cam Followers(Cam Follower Bearings, Track Roller, Cam Yoke Roller, Support Roller, Roller Followers)



Part Number		Dimension				Load Rating		Limiting Speed	Weight
		D	d	B	C	Dynamic	Static		
Without	With Seals	N						RPM	g
NATR5	NATR5PP	16	5	12	11	3150	3350	14000	14
NATV5	NATV5PP	16	5	12	11	4900	6600	3800	15
NATR6	NATR6PP	19	6	12	11	3500	4000	11000	19
NATV6	NATV6PP	19	6	12	11	5400	8000	3100	21
NATR8	NATR8PP	24	8	15	14	5500	6600	7500	38
NATV8	NATV8PP	24	8	15	14	7800	11600	2500	41
NATR10	NATR10PP	30	10	15	14	6800	8600	5500	61
NATV10	NATV10PP	30	10	15	14	9500	14900	2100	64
NATR12	NATR12PP	32	12	15	14	7000	9000	4500	66
NATV12	NATV12PP	32	12	15	14	9700	15700	1800	69
NATR15	NATR15PP	35	15	19	18	9700	14300	3600	95
NATV15	NATV15PP	35	15	19	18	12600	23100	1600	101
NATR17	NATR17PP	40	17	21	20	10900	15800	2900	139
NATV17	NATV17PP	40	17	21	20	14700	26500	1400	147
NATR20	NATR20PP	47	20	25	24	15400	26000	2400	236
NATV20	NATV20PP	47	20	25	24	20300	42000	1300	245
NATR25	NATR25PP	52	25	25	24	15300	27000	1800	271
NATV25	NATV25PP	52	25	25	24	20200	44000	1000	281
NATR30	NATR30PP	62	30	29	28	23200	39000	1300	444
NATV30	NATV30PP	62	30	29	28	30000	62000	850	468
NATR35	NATR35PP	72	35	29	28	24800	44500	1000	547
NATV35	NATV35PP	72	35	29	28	32500	71000	750	630
NATR40	NATR40PP	80	40	32	30	32000	58000	850	795
NATV40	NATV40PP	80	40	32	30	40000	88000	650	832
NATR50	NATR50PP	90	50	32	30	31000	59000	650	867
NATV50	NATV50PP	90	50	32	30	39000	92000	550	969

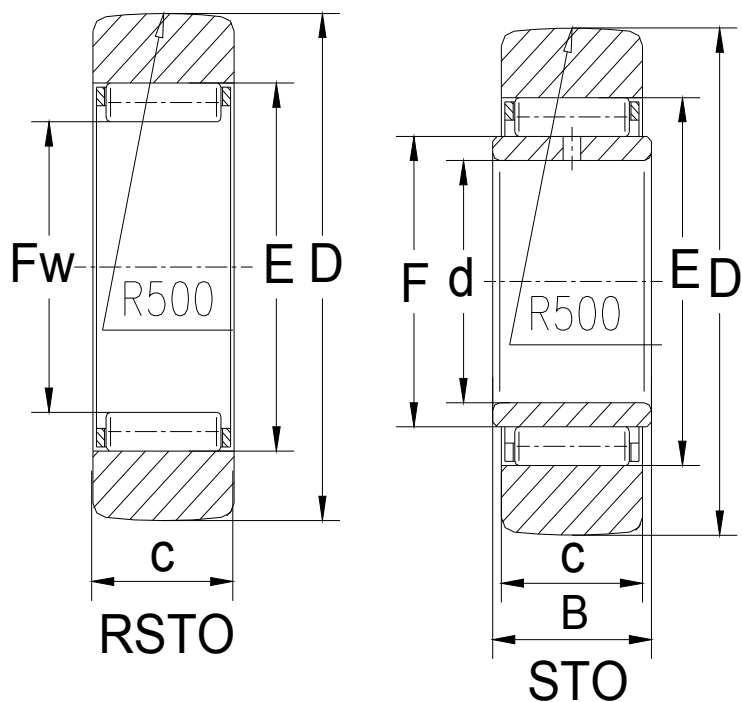
Remark: Other types like MCYRR..S, MCYR..S, NART..UUR, NART..VUUR, MYR..S, MYRV..S, FYCJS..R, FYCRS..R, CXM..UURM, CYM..UURM, FG..EE, NATR..LL and NATV..LL are also workable.

Cam Followers(Cam Follower Bearings, Track Roller, Cam Yoke Roller, Support Roller, Roller Followers)



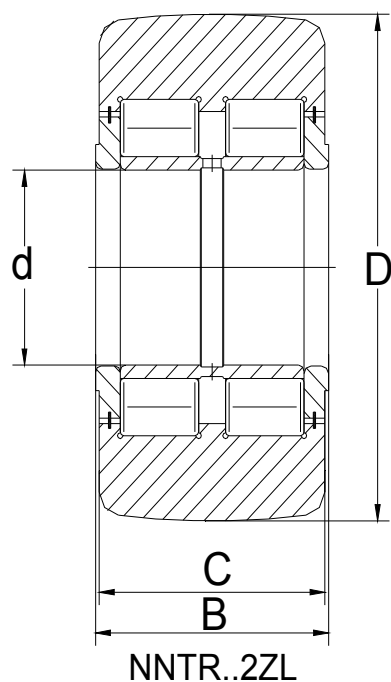
Part Number		Dimension(mm)					Load Rating		Limiting Speed RPM	Weight	
Without Inner Ring	With Inner Ring	D	d	Fw/ F	B	C	Dynamic	Static		RNA22..2RS	NA22..2RS
										g	
RNA22/6-2RS	NA22/6-2RS	19	6	10	12	12	3900	3700	9000	18	22
RNA22/8-2RS	NA22/8-2RS	24	8	12	12	12	4800	4300	7000	29	34
RNA2200-2RS	NA2200-2RS	30	10	14	14	14	7000	6900	5500	52	60
RNA2201-2RS	NA2201-2RS	32	12	16	14	14	7500	8300	4700	57	67
RNA2202-2RS	NA2202-2RS	35	15	20	14	14	7600	9800	3400	60	75
RNA2203-2RS	NA2203-2RS	40	17	22	16	16	9900	14000	3000	94	112
RNA2204-2RS	NA2204-2RS	47	20	25	18	18	14000	19100	2300	152	177
RNA2205-2RS	NA2205-2RS	52	25	30	18	18	14400	20800	1800	179	209
RNA2206-2RS	NA2206-2RS	62	30	35	20	20	17100	26000	1400	284	324
RNA2207-2RS	NA2207-2RS	72	35	42	23	23	21500	36000	1100	432	505
RNA2208-2RS	NA2208-2RS	80	40	48	23	23	26000	41000	850	530	628
--	NA2210-2RS	90	50	58	23	23	26000	43000	650	--	690

Cam Followers(Cam Follower Bearings, Track Roller, Cam Yoke Roller, Support Roller, Roller Followers)



Part Number		Dimension(mm)						Load Rating		Limiting Speed RPM	Weight	
Without Inner Ring	With Inner Ring	D	d	Fw/ F	B	C	E	Dynamic	Static		RSTO	STO
								N		g		
RSTO5TV	--	16	--	7	--	7.8	10	2550	2600	16000	8.5	--
RSTO6TV	STO6TV	19	6	10	10	9.8	13	3750	4550	10000	12.5	17
RSTO8TV	STO8TV	24	8	12	10	9.8	15	4200	5500	8000	21	26
RSTO10	STO10	30	10	14	12	12	20	8400	9300	5500	42	49
RSTO12	STO12	32	12	16	12	12	22	9000	10300	4500	49	57
RSTO15	STO15	35	15	20	12	12	26	9100	10900	3300	50	63
RSTO17	STO17	40	17	22	16	16	29	14200	17900	2800	88	107
RSTO20	STO20	47	20	25	16	16	32	16100	21700	2400	130	152
RSTO25	STO25	52	25	30	16	16	37	16400	23200	1800	150	177
RSTO30	STO30	62	30	38	20	20	46	23100	35000	1300	255	308
RSTO35	STO35	72	35	42	20	20	50	25000	40500	1100	375	441
RSTO40	STO40	80	40	50	20	20	58	23700	39500	850	420	530
RSTO45	STO45	85	45	55	20	20	63	25000	43500	750	453	576
RSTO50	STO50	90	50	60	20	20	68	25500	46000	650	481	617

Cam Followers(Cam Follower Bearings, Track Roller, Cam Yoke Roller, Support Roller, Roller Followers)

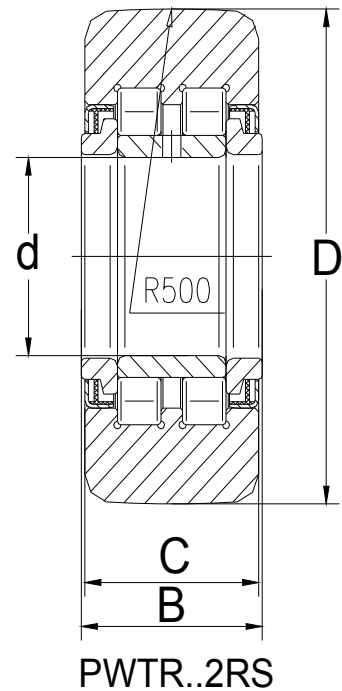


Part Number	Dimension(mm)				Load Rating(KN)		Limiting Speed(Weight (Kg)
	D	d	B	C	Dynamic	Static		
NNTR50X130X65-2ZL	130	50	65	63	193	265	1100	5.2
NNTR55X140X70-2ZL	140	55	70	68	226	315	850	6.4
NNTR60X150X75-2ZL	150	60	75	73	255	365	800	7.8
NNTR65X160X75-2ZL	160	65	75	73	280	395	700	8.8
NNTR70X180X85-2ZL	180	70	85	83	355	510	600	13
NNTR80X200X90-2ZL	200	80	90	88	415	610	500	16.8
NNTR90X220X100-2ZL	220	90	100	98	500	750	400	22.5
NNTR100X240X105-2ZL	240	100	105	103	560	870	340	28
NNTR110X260X115-2ZL	260	110	115	113	670	1050	300	35.6
NNTR120X290X135-2ZL	290	120	135	133	880	1400	260	52.8
NNTR130X310X146-2ZL	310	130	146	144	1010	1630	240	65.2

Cam Followers(Cam Follower Bearings, Track Roller, Cam Yoke Roller, Support Roller, Roller Followers)

Part Number	Dimension (mm)				Load Rating(N)		Limiting Speed(Weight (Kg)
	D	d	B	C	Dynamic	Static		
PWTR15-2RS	35	15	19	18	12600	14600	6000	0.099
PWTR17-2RS	40	17	21	20	14300	17900	5000	0.147
PWTR1542-2RS	42	15	19	18	14700	16200	6000	0.158
PWTR1747-2RS	47	17	21	20	15900	18400	5000	0.22
PWTR20-2RS	47	20	25	24	24500	30500	3800	0.245
PWTR2052-2RS	52	20	25	24	27000	35000	3800	0.321
PWTR25-2RS	52	25	25	24	25000	33000	3800	0.281
PWTR2562-2RS	62	25	25	24	30000	42500	3800	0.45
PWTR30-2RS	62	30	29	28	35000	45500	2200	0.465
PWTR3072-2RS	72	30	29	28	41000	56000	2200	0.697
PWTR35-2RS	72	35	29	28	38500	54000	1800	0.63
PWTR3580-2RS	80	35	29	28	43500	63000	1800	0.836
PWTR40-2RS	80	40	32	30	45000	61000	1500	0.816
PWTR45-2RS	85	45	32	30	45500	63000	1300	0.883
PWTR4090-2RS	90	40	32	30	52000	75000	1500	1.129
PWTR50-2RS	90	50	32	30	46000	66000	1100	0.95
PWTR45100-2RS	100	45	32	30	56000	85000	1300	1.396
PWTR50110-2RS	110	50	32	30	59000	94000	1100	1.69

Remark: Other types like NUTW and RBY are also workable.



Part Number	Dimension (mm)					Load Rating(N)		Limiting Speed (RPM)	Weight(Kg)
	D	d	B	C	d2	Dynamic	Static		
NUTR15	35	15	19	18	20	15300	18700	6500	0.099
NUTR17	40	17	21	20	22	18700	24900	5500	0.147
NUTR1542	42	15	19	18	20	18300	24300	6500	0.158
NUTR1747	47	17	21	20	22	21600	30500	5500	0.22
NUTR20	47	20	25	24	27	28500	37500	4200	0.245
NUTR2052	52	20	25	24	27	32000	44000	4200	0.321
NUTR25	52	25	25	24	31	29000	40500	4200	0.281
NUTR2562	62	25	25	24	31	35500	54000	4200	0.45
NUTR30	62	30	29	28	38	40000	55000	2600	0.465
NUTR3072	72	30	29	28	38	48000	70000	2600	0.697
NUTR35	72	35	29	28	44	45000	65000	2100	0.63
NUTR3580	80	35	29	28	44	51000	78000	2100	0.836
NUTR40	80	40	32	30	51	56000	80000	1600	0.816
NUTR45	85	45	32	30	55	56000	83000	1400	0.883
NUTR4090	90	40	32	30	51	66000	101000	1600	1.129
NUTR50	90	50	32	30	60	56000	86000	1300	0.95
NUTR45100	100	45	32	30	55	72000	115000	1400	1.396
NUTR50110	110	50	32	30	60	76000	128000	1300	1.69

Remark: Other types like NURT..R, MCYRD, MUTD, FGU and DCZM..R are also workable.

